

APE PARTS PRICE LIST

Table of Contents

APE-Plex Syringes.....	1
APE Roux Syringes	2-3
Ardes Drench Guns.....	9
Ardes Plastic Syringes	1
Buddex Dehorner.....	15
Champion Calf Puller	14
Compression Sprayers.....	16
Feeding Buckets	17
Hurricane Ultra II Fogger	20
Kick Stop Cow Immobilizer	15
Labelvage Drench Guns.....	9
Medicator Filter Kit.....	18
Nechmad ThaMa Syringes	4-8
Newberry Knife	14
Oral Cannulas.....	1
Oral Drencher	9
Prodigy Drenchers and Syringes	10-12
Respiratory Care.....	19
Spare Teats	17
Syringe/Drencher Accessories	13
V-Grip Drenchers.....	9



AGRI-PRO ENTERPRISES of Iowa, Inc.

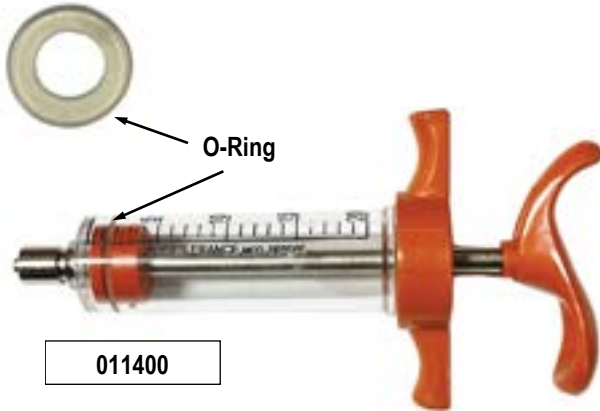
15 Sarah Ave. / PO Box 27 / Iowa Falls, IA 50126
 Phone: 800-648-4696 / 641-648-4696 / Fax: 641-648-9102
 Email: info@agri-pro.com / Web: www.agri-pro.com

Hours
 7:30 a.m. - 5:00 p.m. CST
 Monday - Friday

- ARDES PLASTIC SYRINGES
- APE-PLEX SYRINGES

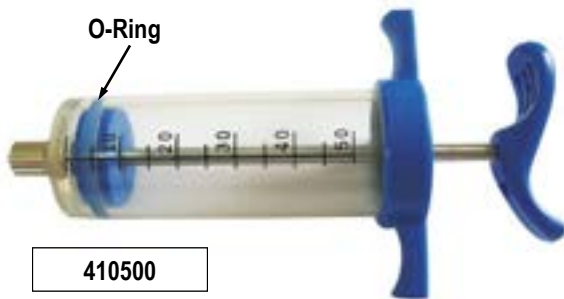
- ORAL CANNULAS

ARDES PLASTIC SYRINGES — 10ml (#011300), 20ml (#011400), 30ml (#011500), 50ml (#011600), 10ml w/DN (#011700) & 20ml w/DN (#011800)



APE #	Product Description
011301	10ml & 10ml w/DN O-Ring
011401	20ml & 20ml w/DN O-Ring
011501	30ml O-Ring
011601	50ml O-Ring

APE-PLEX SYRINGES — 10ml (#410100), 10ml w/DN (#410150), 20ml (#410200), 20ml w/DN(#410250), 30ml (#410300), & 50ml (#410500)



APE #	Product Description
410101	10ml & 10ml w/DN O-Ring
410201	20ml & 20ml w/DN O-Ring
410301	30ml O-Ring
410501	50ml O-Ring

ORAL CANNULAS — Threaded (#41371300) & Luerlock (#41371330)



41371300C



41371300

41371330



41371330C

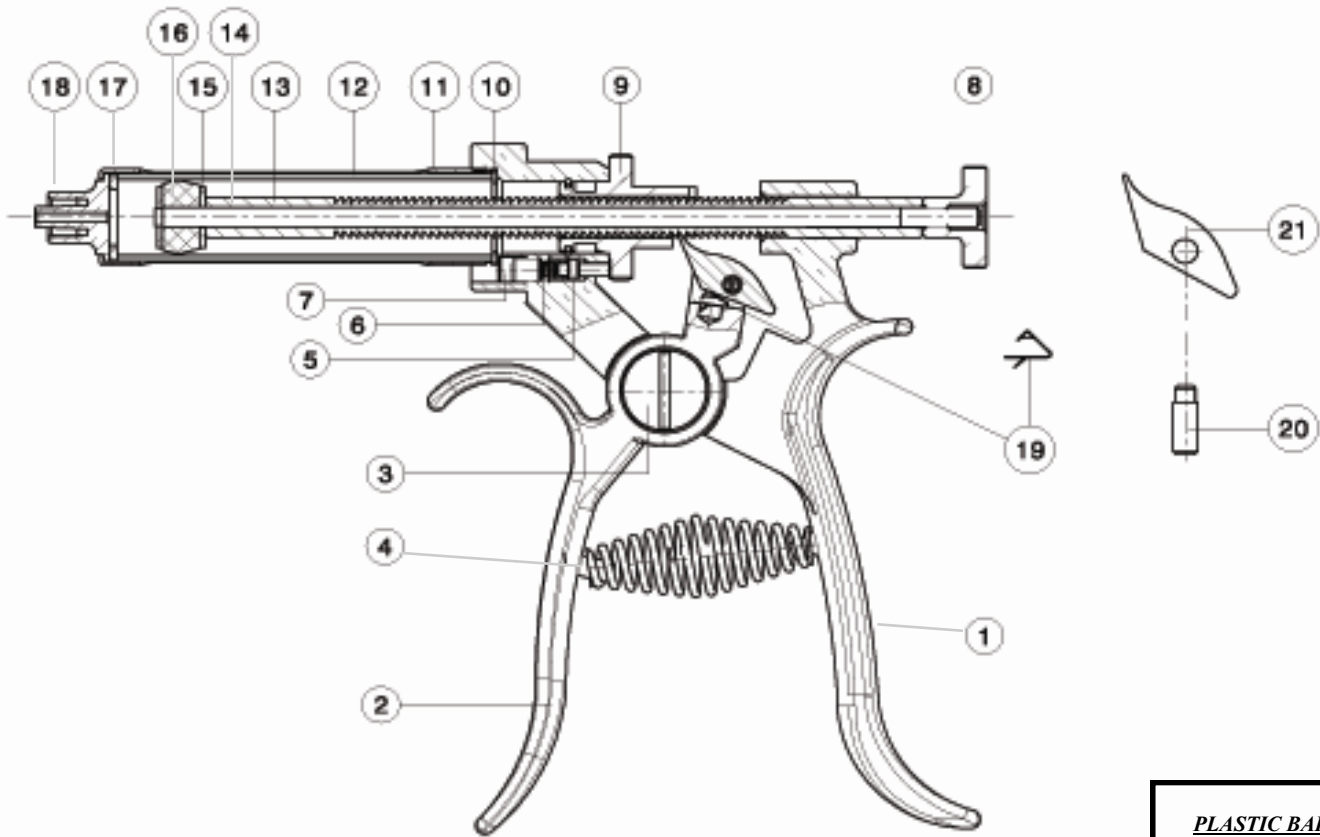
APE #	Product Description
41371300	Threaded Oral 4" Cannula
41371300C	Threaded Oral 4" Cannula-Carded
41371330	Luerlock Oral 4" Cannula
41371330C	Luerlock Oral 4" Cannula-Carded

- Threaded work with APE-Plex Syringes
- Luerlock work with Ardes & APE-Plex Syringes

When ordering spare parts, always refer to the APE # to ensure speedy and accurate parts replacement.

• APE ROUX SYRINGES

APE ROUX - 10 ML (#142010), 30 ML (#142030) & 50 ML (#142050)



**PLASTIC BARREL
CONVERSION KIT**
is available to convert
a 50 ML Roux Syringe
(142050) to a 50ML Roux
Syringe with plastic barrel
(402110). It contains a
metal frame, plastic barrel
and front end with luerlock.

When ordering spare parts, always refer to the APE # to ensure speedy and accurate parts replacement.

• **APE ROUX SYRINGES**

APE ROUX - 10 ML (#142010)

APE #	Part #	Product Description
142053	2	Forward Handle Only
142055	2	Forward Handle Complete
202307	3	Large Handle Connecting Screw Reverse Thread
142011	19	Ratchet Clip
142013	20	Gudgeon Bolt
142014	21	Ratchet Tip
142016	7	Screw for Dosage Dial
142017	5	Pin for Dosage Dial
142018	6	Spring for Dosage Dial
201824	18	Frontend with Luerlock
201825	10/17	Washer Set
401826	12	Glass Barrel
201827	11	Metal Frame
201828	14	Inner Rod
201830	16	Rubber Piston
202033	8	Knurled Knob
202035	4	Coil Spring

APE ROUX - 30 ML (#142030)

APE #	Part #	Product Description
142053	2	Forward Handle Only
142055	2	Forward Handle Complete
202307	3	Large Handle Connecting Screw Reverse Thread
142011	19	Ratchet Clip
142013	20	Gudgeon Bolt
142014	21	Ratchet Tip
142016	7	Screw for Dosage Dial
142017	5	Pin for Dosage Dial
142018	6	Spring for Dosage Dial
202022	10,16,17	Washer/Piston Set
202024	18	Frontend with Luerlock
202025	10/17	Washer Set
201926	12	Glass Barrel
202030	16	Rubber Piston
202031	15	Piston Holding Disc
202033	8	Knurled Knob
202035	4	Coil Spring

APE ROUX - 50 ML (#142050)

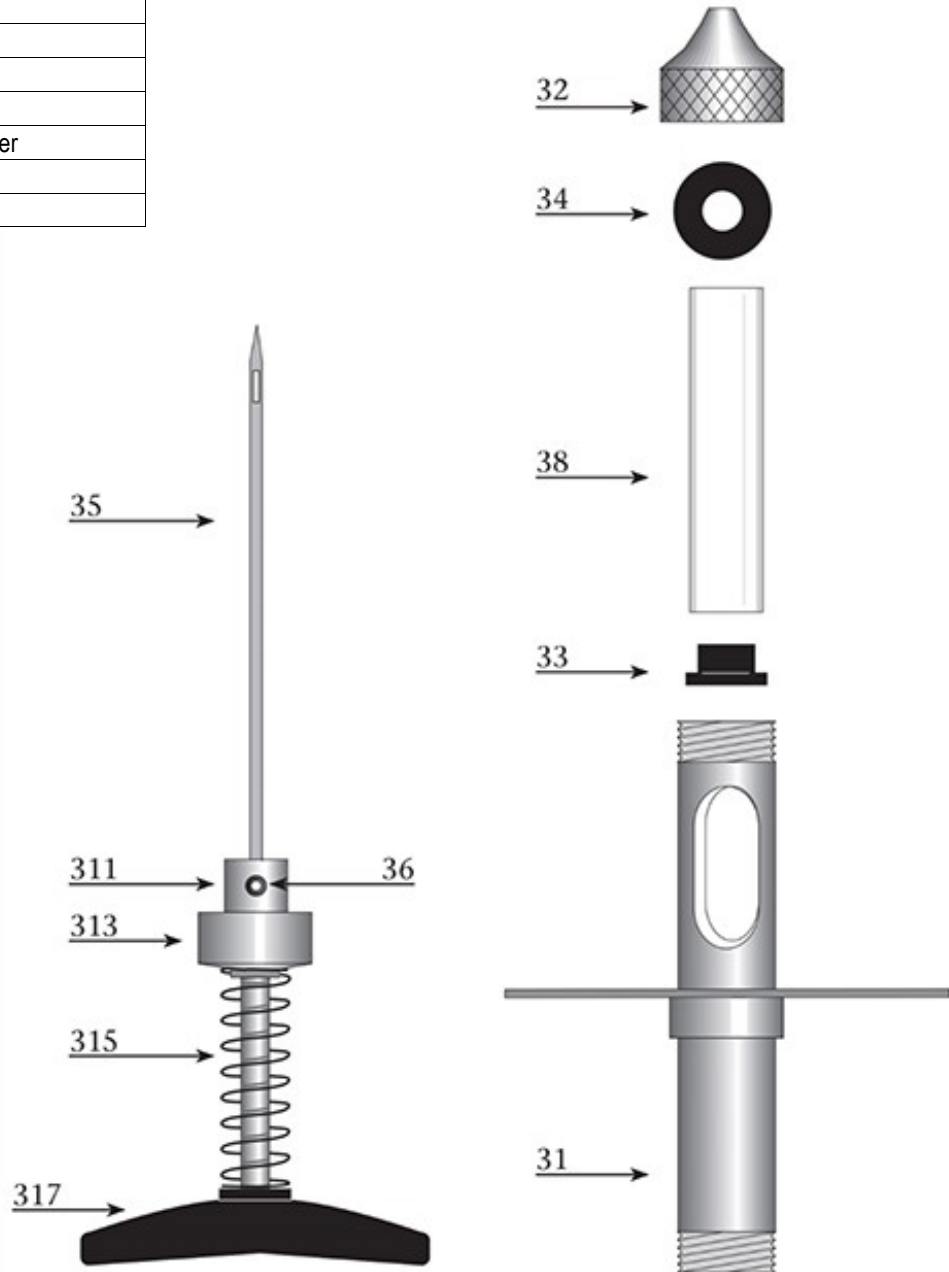
APE #	Part #	Product Description
142053	2	Forward Handle Only
142055	2	Forward Handle Complete
202307	3	Large Handle Connecting Screw Reverse Thread
142011	19	Ratchet Clip
142013	20	Gudgeon Bolt
142014	21	Ratchet Tip
142016	7	Screw for Dosage Dial
142017	5	Pin for Dosage Dial
142018	6	Spring for Dosage Dial
202022	10,16,17	Washer/Piston Set
202024	18	Frontend with Luerlock
202025	10/17	Washer Set
142026	12	Glass Barrel
142026C	12	Glass Barrel-Carded
202040		Plastic Barrel
202027	11	Metal Frame
202028	14	Inner Rod
202030	16	Rubber Piston
202031	15	Piston Holding Disc
202032	13	Outer Rod
202033	8	Knurled Knob
202035	4	Coil Spring
402036	11, 18	Plastic Barrel Conversion Kit

When ordering spare parts, always refer to the APE # to ensure speedy and accurate parts replacement.

• **NECHMAD THAMA SYRINGES**

POX THAMA VACCINATOR — 1cc (#173200)

APE #	Part #	Product Description
173254	32	Front End Cap
173253	33	Stopper Gasket Only
173252	35	Replacement Needle-Slotted
173251	38	Glass Barrel Only
173250	311	Needle Hub
173205	315	Handle Spring
173206	313	Rear Closing Cap
173231	31	Body
173207	34	End Cap (Neoprene) Washer
173208	317	Palm Grip Handle
173209	36	Set Screw for Needle

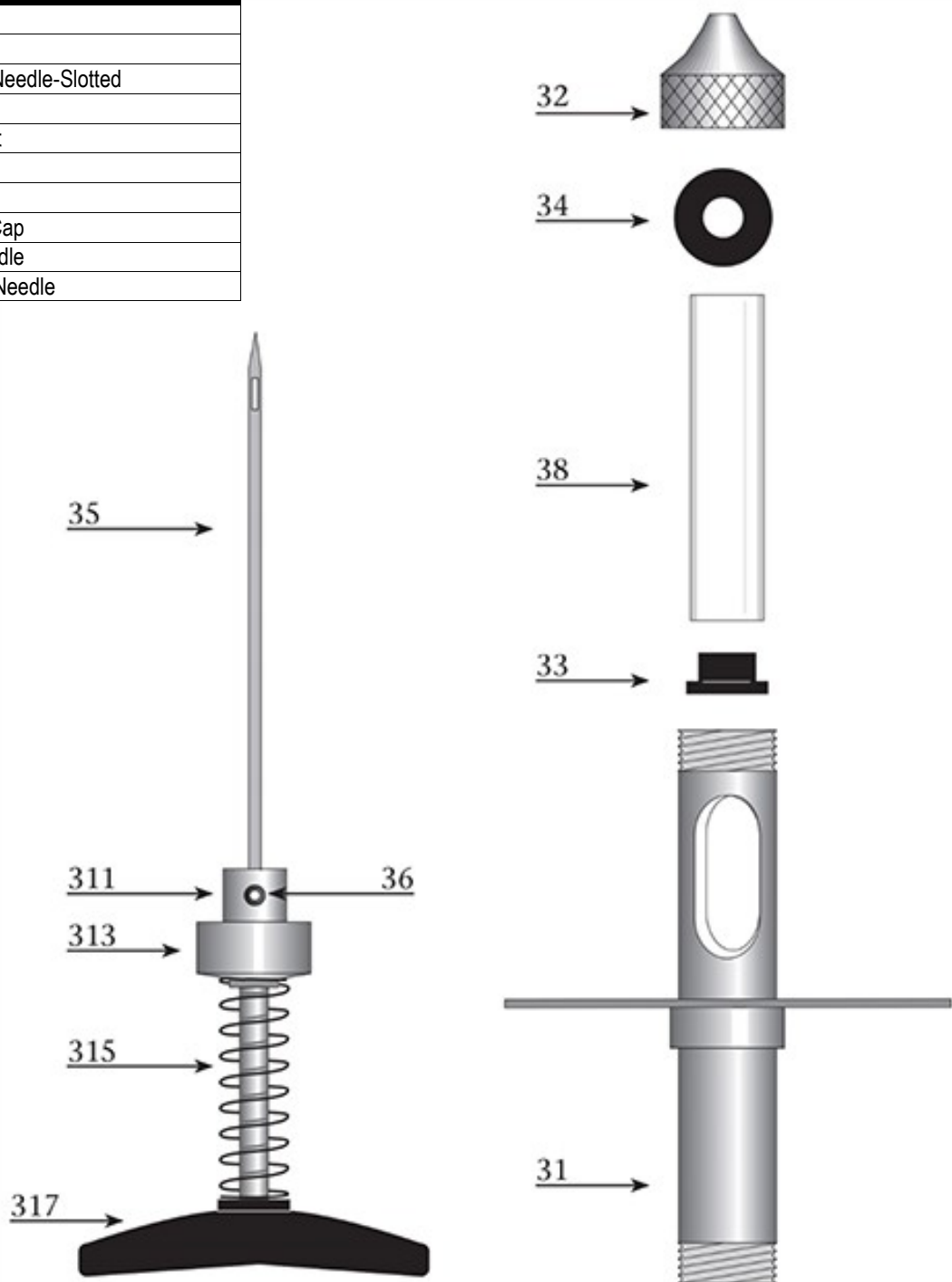


When ordering spare parts, always refer to the APE # to ensure speedy and accurate parts replacement.

• **NECHMAD THAMA SYRINGES**

THAMA POX VACCINATOR — 2cc (#173000)

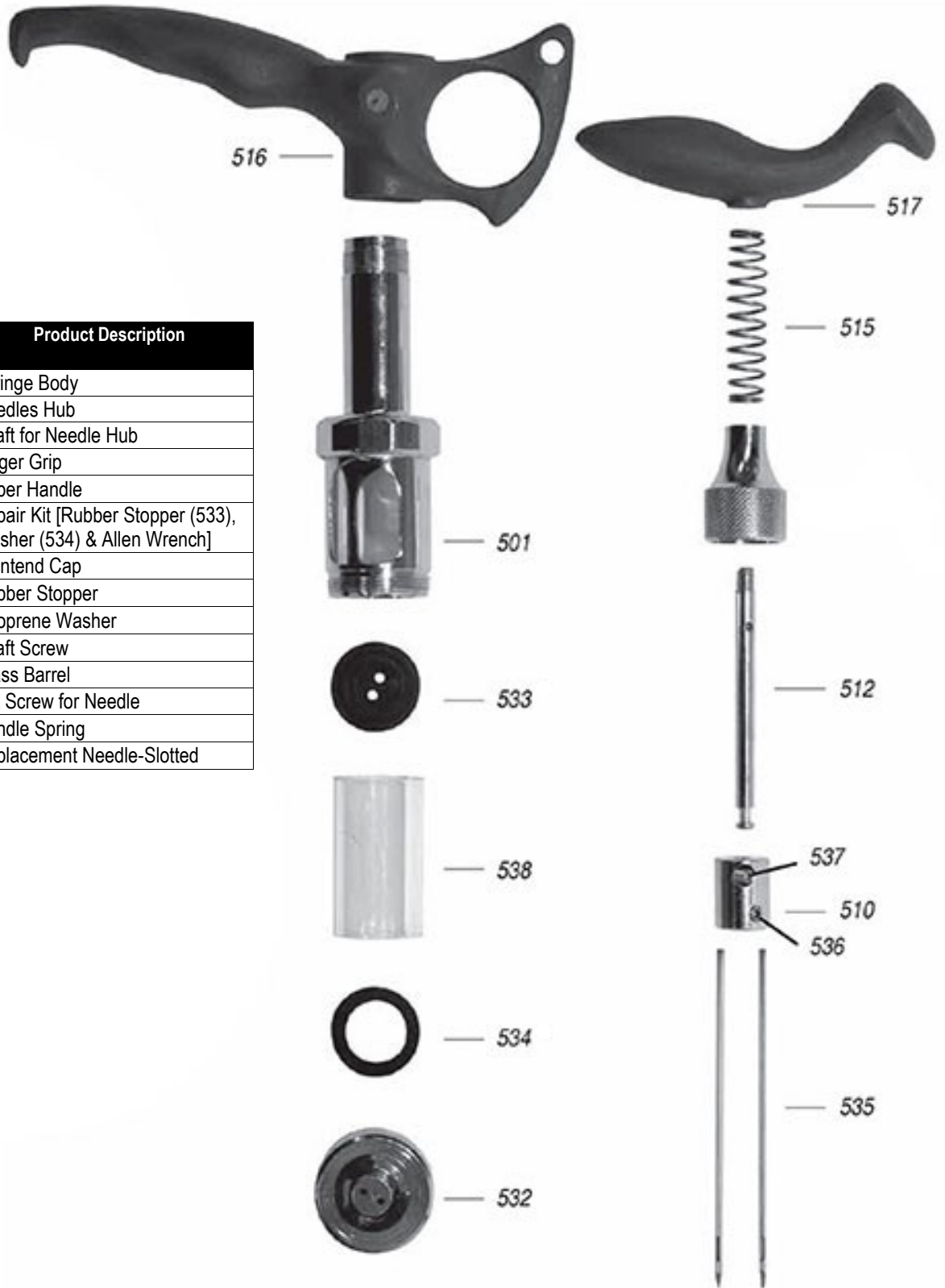
APE #	Part #	Product Description
▶173031	31	Syringe Body
▶173032	32	Front End Cap
173252	35	Replacement Needle-Slotted
▶173001	38	Glass Barrel
▶173005	33&34	Spare Parts Kit
173250	311	Needle Hub
173205	315	Handle Spring
173206	313	Rear Closing Cap
173208	317	Palm Grip Handle
173209	36	Set Screw for Needle



When ordering spare parts, always refer to the APE # to ensure speedy and accurate parts replacement.

• **NECHMAD THAMA SYRINGES**

THAMA 2 NEEDLE POX VACCINATOR — (#173100) 5cc CAPACITY



APE #	Part #	Product Description
173101	501	Syringe Body
173110	510	Needles Hub
173112	512	Shaft for Needle Hub
173116	516	Finger Grip
173117	517	Upper Handle
173126	599	Repair Kit [Rubber Stopper (533), Washer (534) & Allen Wrench]
173132	532	Frontend Cap
173133	533	Rubber Stopper
173134	534	Neoprene Washer
173137	537	Shaft Screw
173138	538	Glass Barrel
173209	536	Set Screw for Needle
173205	515	Handle Spring
173252	535	Replacement Needle-Slotted

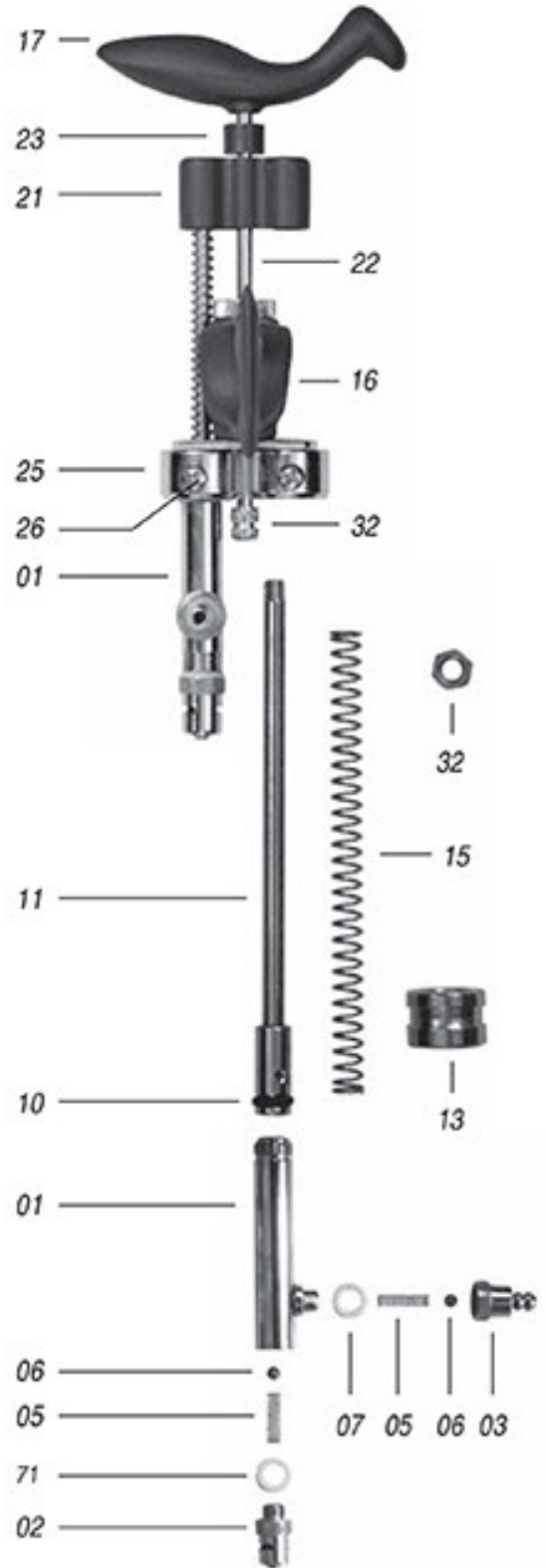
When ordering spare parts, always refer to the APE # to ensure speedy and accurate parts replacement.

• **NECHMAD THAMA SYRINGES**

THAMA 222 DOUBLE BARREL FIXED DOSE SYRINGE — (#173650)

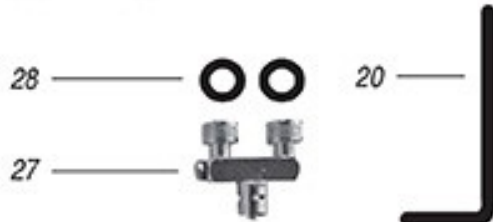
Supplied with two sets of 5 different pistons: 0.1cc, 0.2cc, 0.25cc, 0.3cc AND 0.5cc

APE #	Part #	Product Description
173555		Filling Needle 18cm
173610	01	Syringe Body
173627	27	Bridge 2 to 1 Needle
173651	05(2),06(2),07,10(4), 26,28,32,71	Repair Kit
173652	02	Luerlock, Needle Adapter
173707	03	Tubing Attachment
173654	1101	0.1cc Piston + Shaft
173655	1102	0.2cc Piston + Shaft
173656	1125	0.25cc Piston + Shaft
173657	1103	0.3cc Piston + Shaft
173658	1105	0.5cc Piston + Shaft



Piston + shaft #11:

- 0.1cc 1101
- 0.2cc 1102
- 0.25cc 1125
- 0.3cc 1103
- 0.5cc 1105

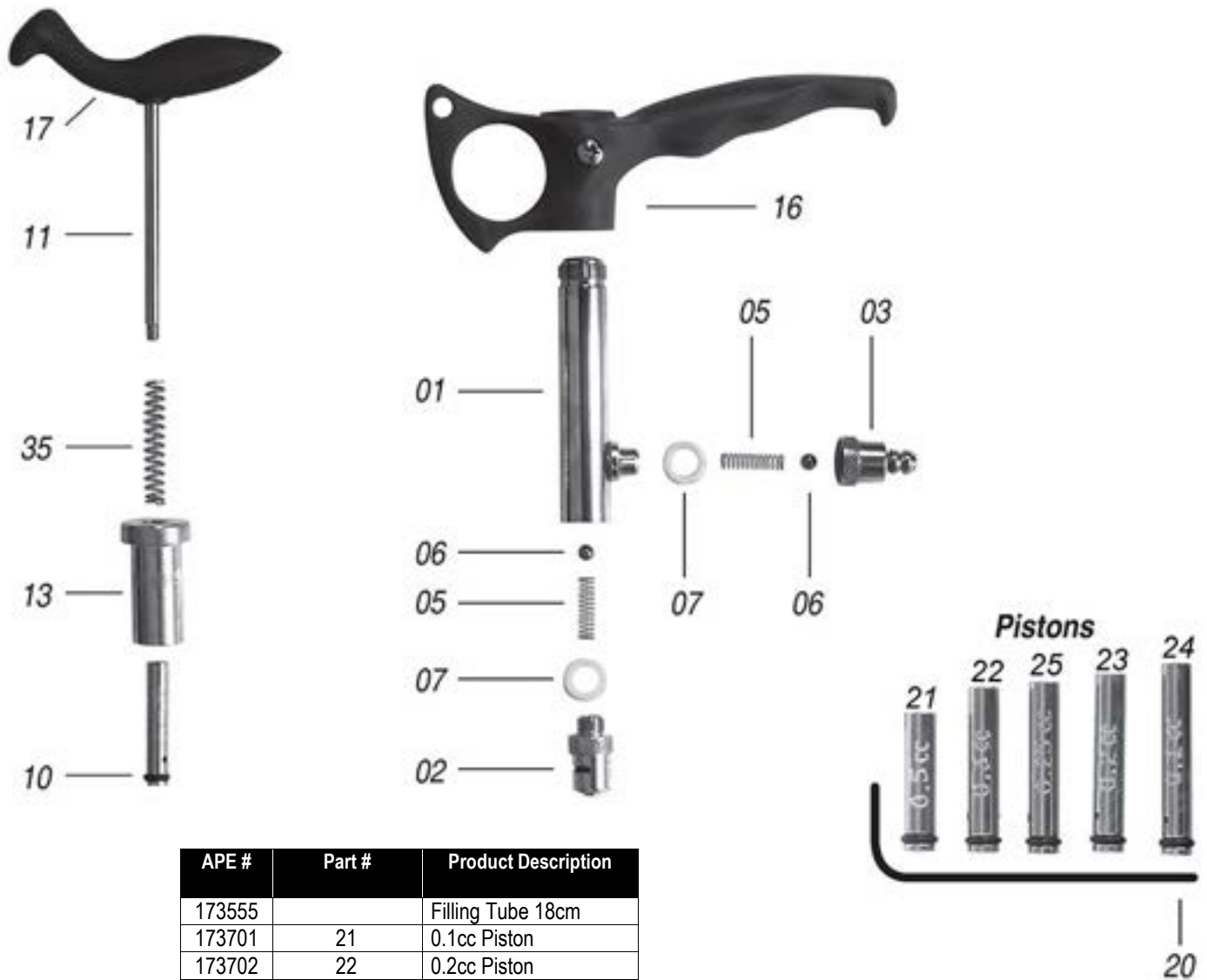


When ordering spare parts, always refer to the APE # to ensure speedy and accurate parts replacement.

• **NECHMAD THAMA SYRINGES**

THAMA 220 FIXED DOSE SYRINGE — (#173700)

Supplied with two sets of 5 different pistons: 0.1cc, 0.2cc, 0.25cc, 0.3cc AND 0.5cc

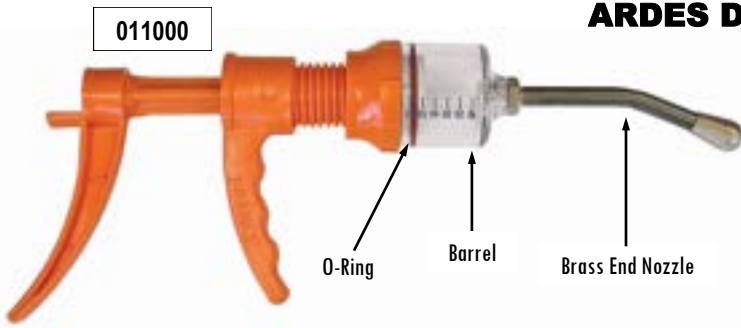


APE #	Part #	Product Description
173555		Filling Tube 18cm
173701	21	0.1cc Piston
173702	22	0.2cc Piston
173703	25	0.25cc Piston
173704	23	0.3cc Piston
173705	24	0.5cc Piston
173706	05(2),06(2), 07(2),10(5)	Repair Kit
173707	03	Tubing Attachment
173709	11	Piston Shaft
173710	01	Syringe Body
173711		Screw for Finger Grip
▶173717	17	Upper Handle
173708	16	Finger Grip
173715	35	Handle Spring
173715	15	Handle Spring
173718	18	Spring Housing

When ordering spare parts, always refer to the APE # to ensure speedy and accurate parts replacement.

- ARDES DRENCH GUNS
- LABELVAGE DRENCH GUNS

- ORAL DRENCHER
- V-GRIP DRENCHERS

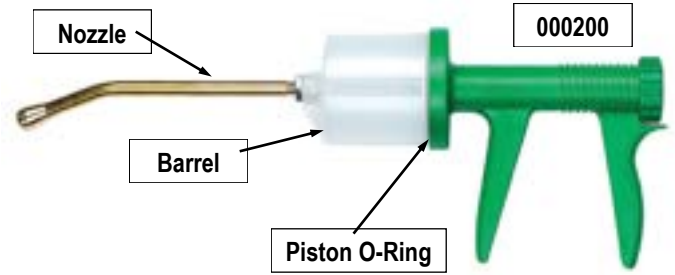


ARDES DRENCH GUNS — 60ml (#011000) & 150ml (#011100)

APE #	Product Description
011001	60ml O-Ring
011005	60ml Barrel
011006	60ml Brass End Nozzle
011101	150ml O-Ring
011105	150ml Barrel
011106	150ml Brass End Nozzle

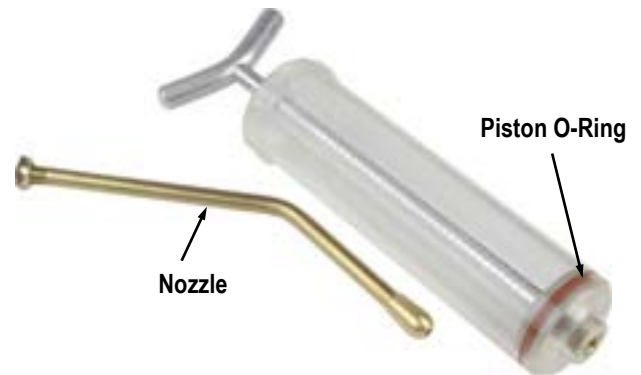
LABELVAGE DRENCH GUNS — 200ml (#000200), 300ml (#000300) & 600ml (#000600)

APE #	Product Description
000201	200ml/600mlPiston O-Ring
000202	200ml Barrel
000203	200ml Nozzle
000301	300ml Piston O-Ring
000302	300ml Barrel
000602	300ml/600ml Nozzle



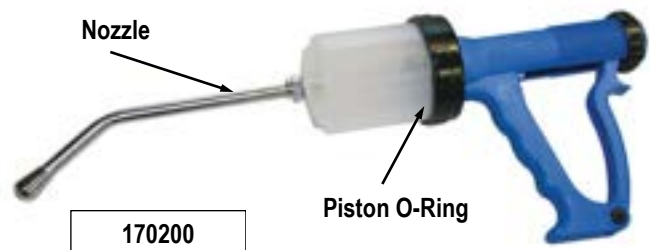
ORAL DRENCHER — 400ml (#41376600)

APE #	Product Description
41655000	Nozzle
41655600	Piston O-Ring



V-GRIP DRENCH GUNS — 70ml (#170070), 200ml (#170200) & 300ml (#170300)

APE #	Product Description
170071	70ml Piston O-Ring
170201	200ml Piston O-Ring
170301	300ml Piston O-Ring
170302	200ml/300ml Drench Nozzle



When ordering spare parts, always refer to the APE # to ensure speedy and accurate parts replacement.

• **PRODIGY REPEATERS**

PRODIGY REPEATERS — 25ml (#268425) & 50ml (#268450)

APE #	Part #	Product Description
!268430	1	25ml UV Barrel & O-Ring Kit
268431	2	25ml Piston O-Ring Kit (5 pk)

APE #	Part #	Product Description
!268455	3	50ml UV Barrel & O-Ring Kit
268456	4	50ml Piston O-Ring Kit (5 pk)

25ml
(#268425)



50ml
(#268450)



Can be used with Repeaters and Ring-Grip Syringes

APE #	Product Description
268130	Drench Nozzle/Nut
268130C	Drench Nozzle/Nut (retail ready)



268130



268130C

! Prop 65

When ordering spare parts, always refer to the APE # to ensure speedy and accurate parts replacement.

• **PRODIGY 20ML DRENCHERS**

**PRODIGY DRENCHER —
20ml (#268710) & 20ml w/2.5L Backpack (#268705)**



1

APE #	Part #	Product Description
268715	1	20ML Spare Kit (contains 1 barrel, 2 piston O-rings, 2 valve & springs)
268720	2	Sheep/Calf Nozzle
268740	3	Cattle Nozzle
268725	4	Nut for Nozzle
268730	5	Hook Nozzle
268735	6	Floating Hook Kit
366025	7	2.5L Backpack w/2 caps & strap
369581	8	38mm Double Stepped Barbed Cap w/14.5" Straw



5

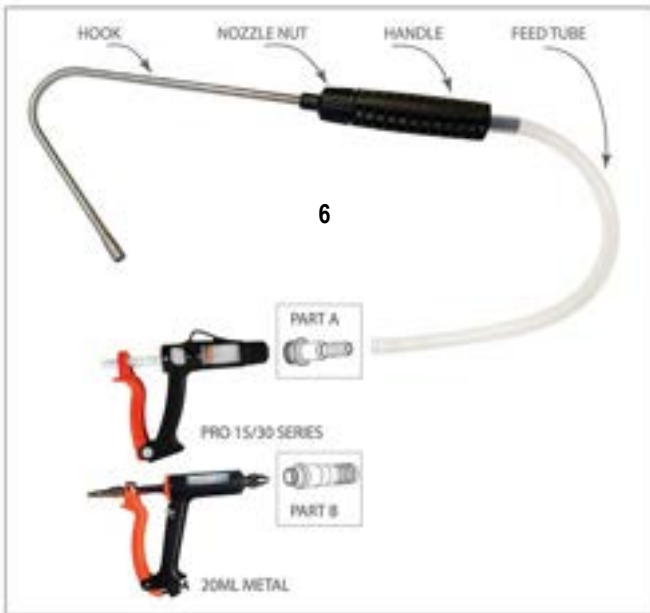


2

3

4

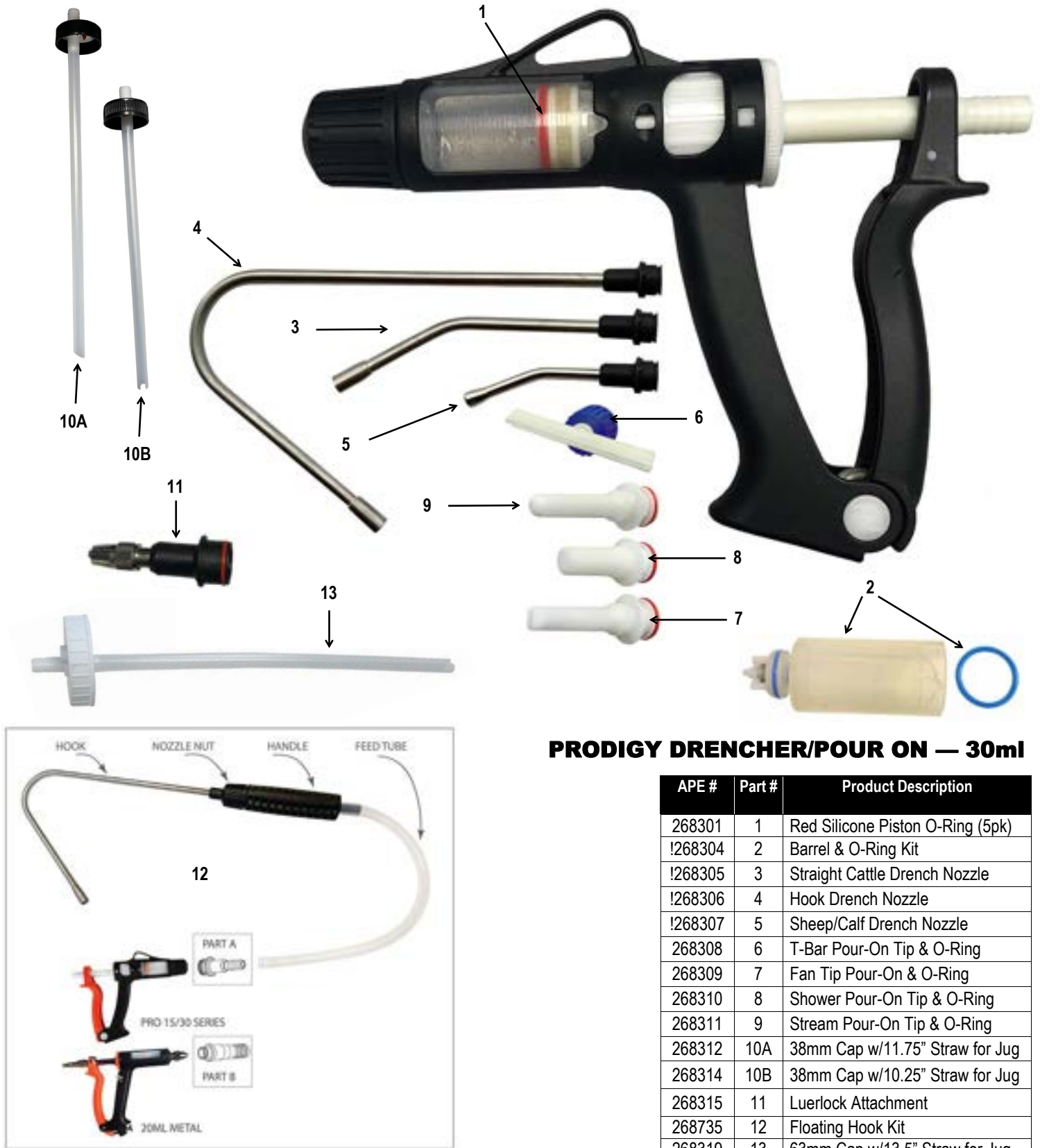
8



6

When ordering spare parts, always refer to the APE # to ensure speedy and accurate parts replacement.

• **PRODIGY 30ML DRENCHER**



PRODIGY DRENCHER/POUR ON — 30ml

APE #	Part #	Product Description
268301	1	Red Silicone Piston O-Ring (5pk)
!268304	2	Barrel & O-Ring Kit
!268305	3	Straight Cattle Drench Nozzle
!268306	4	Hook Drench Nozzle
!268307	5	Sheep/Calf Drench Nozzle
268308	6	T-Bar Pour-On Tip & O-Ring
268309	7	Fan Tip Pour-On & O-Ring
268310	8	Shower Pour-On Tip & O-Ring
268311	9	Stream Pour-On Tip & O-Ring
268312	10A	38mm Cap w/11.75" Straw for Jug
268314	10B	38mm Cap w/10.25" Straw for Jug
268315	11	Luerlock Attachment
268735	12	Floating Hook Kit
268319	13	63mm Cap w/13.5" Straw for Jug

! Prop 65

When ordering spare parts, always refer to the APE # to ensure speedy and accurate parts replacement.

• SYRINGE/DRENCHER ACCESSORIES

SYRINGE/DRENCHER ACCESSORIES



366000



366025

Backpacks	
APE #	Product Description
▶366025	2.5L Backpack w/2 caps & strap
▶366000	5L Backpack w/2 caps & strap

Caps & strap



Drawoff Kits	
APE #	Product Description
368050	Dual Drawoff Kit
368025	250ml Drawoff Kit
368866	Spike Kit



368025



368050



368866



368110



368125



368133

Drawoff Caps	
APE #	Product Description
368110	20mm/100ml Drawoff Cap
368125	30mm/250ml Drawoff Cap
368133	33mm Drawoff Cap

! Prop 65

When ordering spare parts, always refer to the APE # to ensure speedy and accurate parts replacement.

CHAMPION CALF PULLER (#101100)

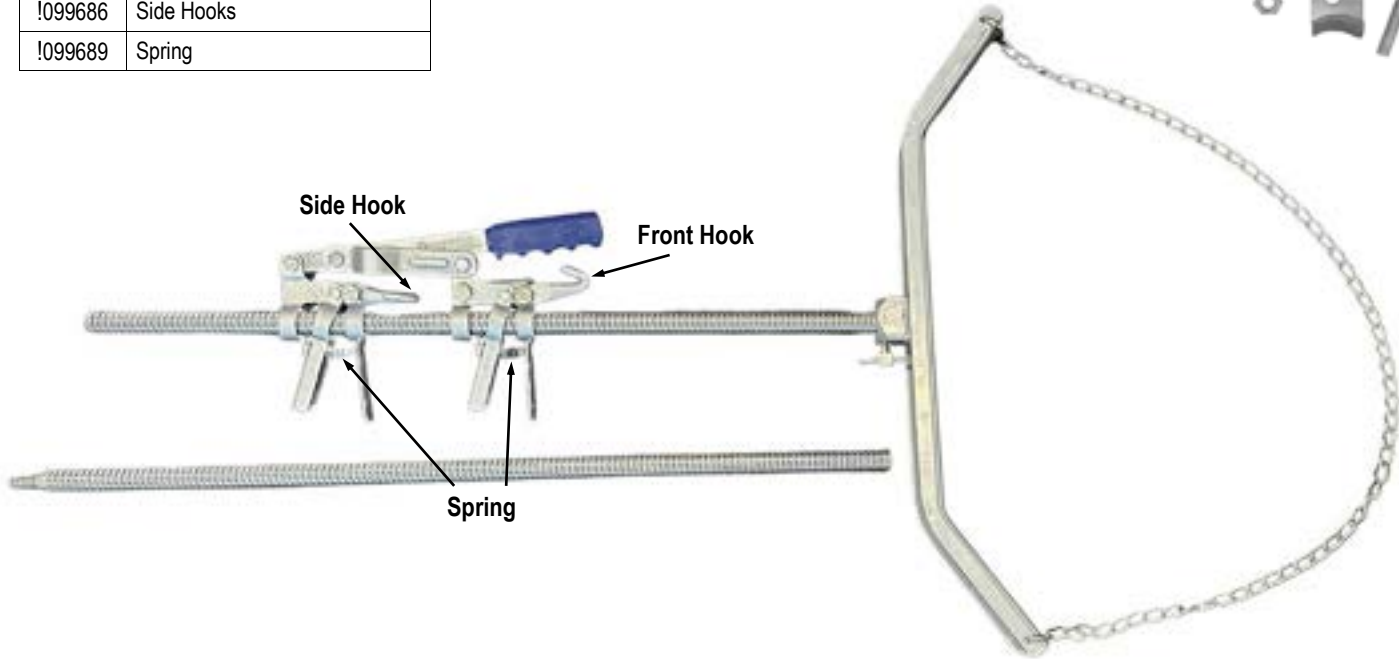
APE #	Product Description
!099681	Ratchet Tooth w/screw Assembly
!099682	Complete Ratchet Assembly
!099685	Front Hooks
!099686	Side Hooks
!099689	Spring



Complete Ratchet Assembly
(Bar not included)



Ratchet Tooth w/screw
(does not show)



PLEASE TIGHTEN ALL SCREWS & BOLTS ON PULLER BEFORE USING

NEWBERRY KNIFE (#099639)

APE #	Product Description
099637	Replacement Blade (comes with 2 roll pins)



! Prop 65

When ordering spare parts, always refer to the APE # to ensure speedy and accurate parts replacement.

- KICK STOP COW IMMOBILIZER
- BUDDEX DEHORNER

KICK STOP COW IMMOBILIZER (#530300)



530300

APE #	Product Description
530301	Spring
530302	Rubber Stopper

Rubber Stopper



Spring



BUDDEX DEHORNER (#602000)

APE #	Product Description
!602002	Battery
602003	Charger
602001	Heating Head & Module
602010	Module

Battery



Heating Head



Charger



Module



602000



! Prop 65

When ordering spare parts, always refer to the APE # to ensure speedy and accurate parts replacement.

• **COMPRESSION SPRAYERS**

**COMPRESSION SPRAYERS — 1.5 liter-Orange (#083401),
1.5 liter-White w/Viton Seal (#083400) & 2 liter-Orange (#083402)**

APE #	Product Description
!083350	Nozzle kit w/brass tip (for #083401 & 083402)
!083500	Nozzle kit w/Viton seal & brass tip (for #083400 only)
!083496	Spraying Control Nozzle, brass (for all Compression Sprayers)
!085105	O-Ring Kit (for all Compression Sprayers)



083400



083350



083401



085105



083402



083500



083496

! Prop 65

When ordering spare parts, always refer to the APE # to ensure speedy and accurate parts replacement.

• FEEDING BUCKETS/SPARE TEATS

LAMB FEEDER BUCKET W/3 TEATS (#170460)

170460

APE #	Product Description
170461	Spare Teat
170461C	Spare Teat-Carded
170462	Valve Complete w/Seal
170463	Washer
170472	Mounting Bracket



170470

CALF FEEDING BUCKET (#170470)

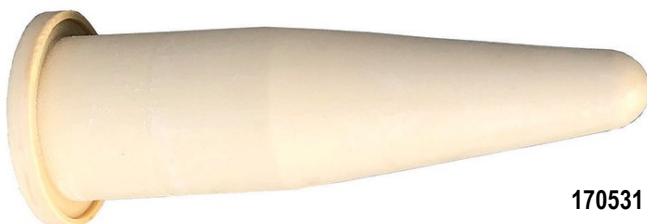
APE #	Product Description
170471	Spare Teat-Red
170472	Mounting Bracket



FLOATING TEAT-XL (#170530)

170530

APE #	Product Description
170531	Spare Teat

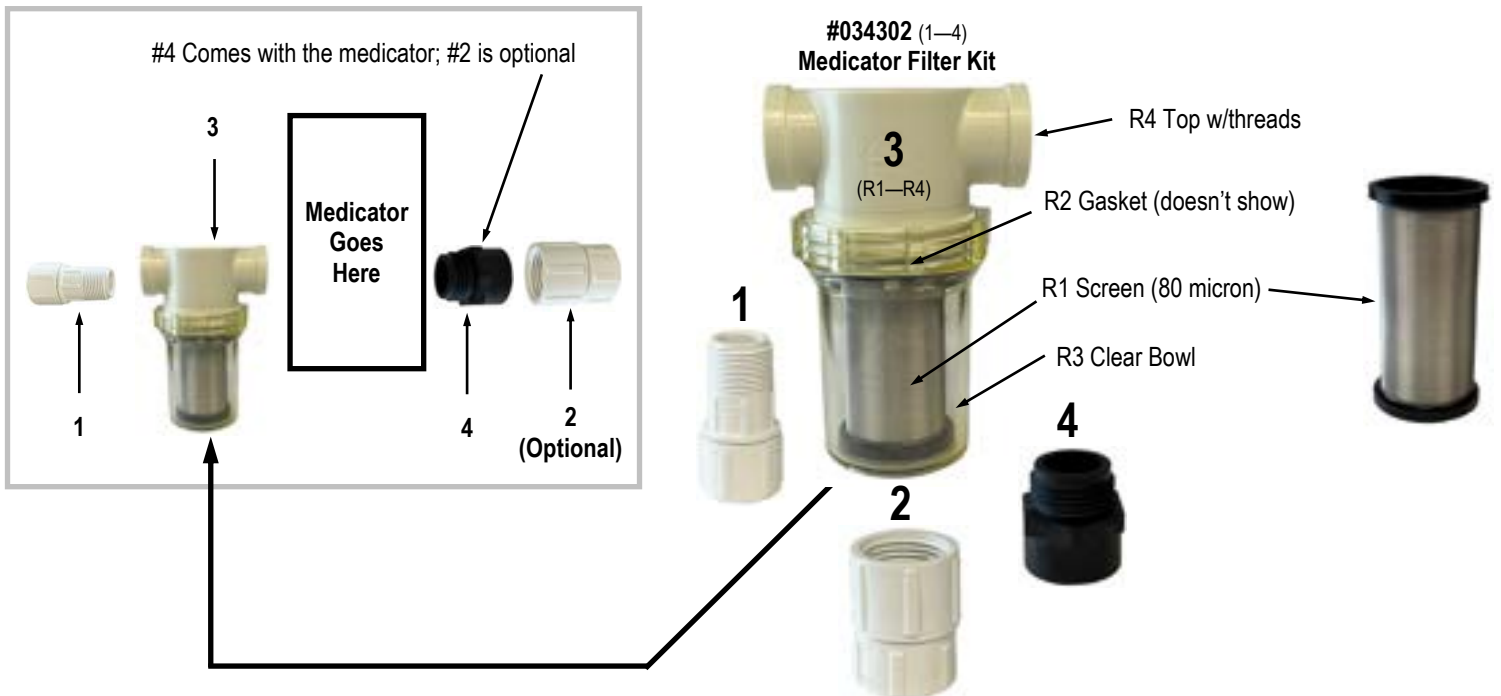


When ordering spare parts, always refer to the APE # to ensure speedy and accurate parts replacement.

• **MEDICATOR FILTER KIT**

MEDICATOR FILTER KIT (#034302)

APE #	Part #	Product Description
MEDICATOR FILTER KIT is an inline filter with 80 micron screen & 3/4" NPT female threads, plus adapter to convert to hose thread connections. (SEE PARTS BELOW: this Kit includes Part#1-4)		
034302		Filter (Hook Up) Kit
328501	1	3/4" Male NPT pipe to 3/4" Female GHT swivel adapter (white AP-109)
328502	2	3/4" Female NPT to 3/4" Female GHT swivel adapter (white AP-106)
194425	3	Inline Strainer (80 micron screen) with 3/4" Female NPT pipe, 5 1/4" x 3 1/2"
308600	4	3/4" Female NPT pipe to 3/4" Male GHT adapter (black)
INLINE STRAINER Replacement Parts: The Inline Strainer is Part#3 (#194425) of a Medicator Filter Kit (#034302). The following parts comprise the Inline Strainer:		
194401	R1	Replacement Screen 80-micron (standard)
194402	R2	Replacement Gasket
194403	R3	Replacement Clear Bowl Only
194406	R4	Replacement Top for Filter-Threaded



When ordering spare parts, always refer to the APE # to ensure speedy and accurate parts replacement.

• **RESPIRATORY CARE**

VETNEB II (#633065)

APE #	Product Description
631014	Delivery Device (includes medicine cup, mouth piece T-bar, 5" corrugated tube, and 7' tubing)
633051	5 Pak Filter for VetNeb II-New Style
633055	5 Pak Filter for VetNeb™ (Old Style)
!635000	Air Muzzle Restraint w/O ₂ Adapter



635000



633055



633051



631014 (included with 633065)

HEAVY-DUTY SUCTION MACHINE (#633601)

APE #	Product Description
633611	Hydrophobic Filter for Heavy-Duty Suction Machine
633610	800cc Canister
!805000	Yankauer Suction Device



633610



633611



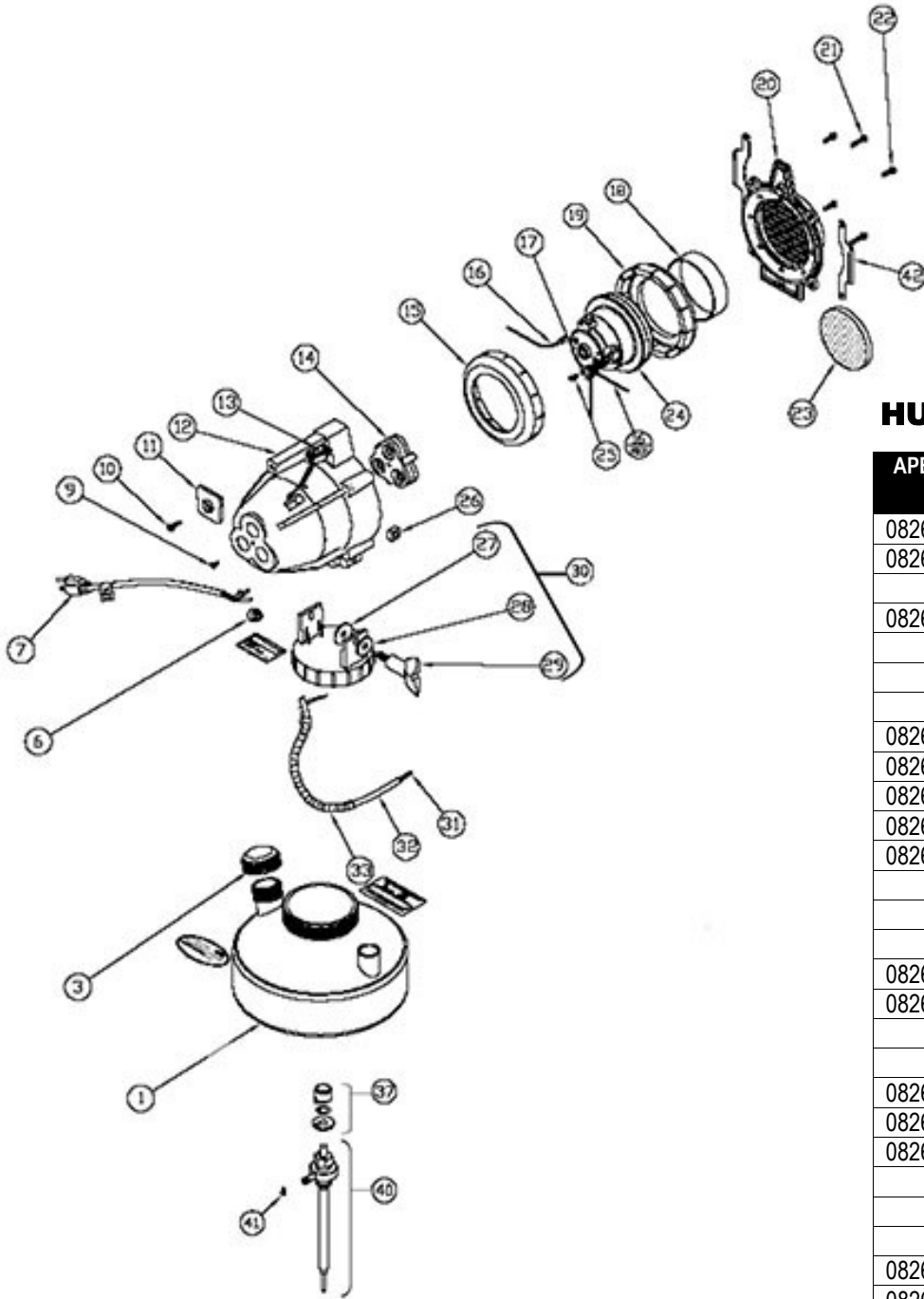
805000 (included with 633601)



! Prop 65

When ordering spare parts, always refer to the APE # to ensure speedy and accurate parts replacement.

• HURRICANE ULTRA II FOGGER



HURRICANE ULTRA II
FOGGER PARTS

All Hurricane Ultra II parts are non-stock items. Please contact Agri-Pro Enterprises for pricing, availability and lead times.

HURRICANE ULTRA II (#082600)

APE #	Part #	Fogger#	Product Description
082613	1	62129	1 Gallon Tank
082625	3	62135-1	Tank Cap Assembly
	6	29108157	Strain Relief
082605	7	62031-2	Power Cord, 120V
	7	62051-1	Power Cord, 220V
	9	62361-2	Screw
	10	62378	Screw
082632	11	62053-1	Hand Stop
082601	12	62148	Housing, Drilled
082604	13	86819-1	Rocker Power Switch
082602	14	62045-BLK	Nozzle Assembly
082609	15	62366	Foam Gasket, .187 thick
	16	62471-1	Motor Wire Assembly
	17	138530	Lock Washer
	18	62144-1	Motor Spacer
082649	19	62366-1	Foam Gasket, .375 thick
082644	20	62027	Motor Cover
	21	62160	Screws
	22	62161	Screws
082643	23	62124	Air Filter
082606	24	62147-5	Motor, 120V
082639	24	062147-3	Brush Kit, 120V
	24	62147-2	Motor, 220V
	24	62147-4	Brush Kit, 220 V
	25	9425089	Screw
082647	26	62367	Nut
082631	27	62083	Friction Washer
082651	28	62128	Handle Washer
082626	29	62010-54	Locking Handle
082630	30		Locking Handle Assembly
082629	31	74312-3	Crimp Spring
082628	32	62054-1	Tube
082648	37	64956	Knob Assembly
082300	40	62195-2	Valve Assembly
082614	41	80296-4	Hose Clamp
	42	62233	Support Bracket

When ordering spare parts, always refer to the APE # to ensure speedy and accurate parts replacement.