



APE PARTS PRICE LIST

Table of Contents

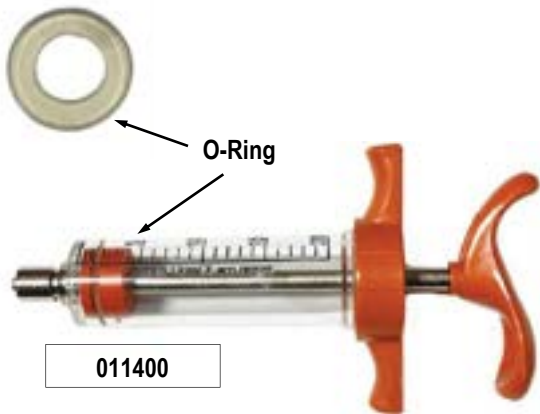
APE-Plex Syringes.....	1
APE Roux Syringes	2-3
Ardes Drench Guns.....	9
Ardes Plastic Syringes	1
Buddex Dehorner.....	15
Champion Calf Puller	14
Compression Sprayers.....	16
Feeding Buckets	17
Kick Stop Cow Immobilizer	15
Labelvage Drench Guns.....	9
Medicator Filter Kit.....	18
Nechmad ThaMa Syringes	4-8
Newberry Knife	14
Oral Cannulas.....	1
Oral Drencher	9
Prodigy Drenchers and Syringes	10-12
Respiratory Care	19
Spare Teats	17
Syringe/Drencher Accessories	13
V-Grip Drenchers.....	9

When ordering spare parts, always refer to the APE # to ensure speedy and accurate parts replacement.

- ARDES PLASTIC SYRINGES
- APE-PLEX SYRINGES

- ORAL CANNULAS

ARDES PLASTIC SYRINGES — 10ml (#011300), 20ml (#011400), 30ml (#011500), 50ml (#011600), 10ml w/DN (#011700) & 20ml w/DN (#011800)



APE #	Product Description
011301	10ml & 10ml w/DN O-Ring
011401	20ml & 20ml w/DN O-Ring
011501	30ml O-Ring
011601	50ml O-Ring

APE-PLEX SYRINGES — 10ml (#410100), 10ml w/DN (#410150), 20ml (#410200), 20ml w/DN(#410250), 30ml (#410300), & 50ml (#410500)



APE #	Product Description
410101	10ml & 10ml w/DN O-Ring
410201	20ml & 20ml w/DN O-Ring
410301	30ml O-Ring
410501	50ml O-Ring

ORAL CANNULAS — Threaded (#41371300) & Luerlock (#41371330)



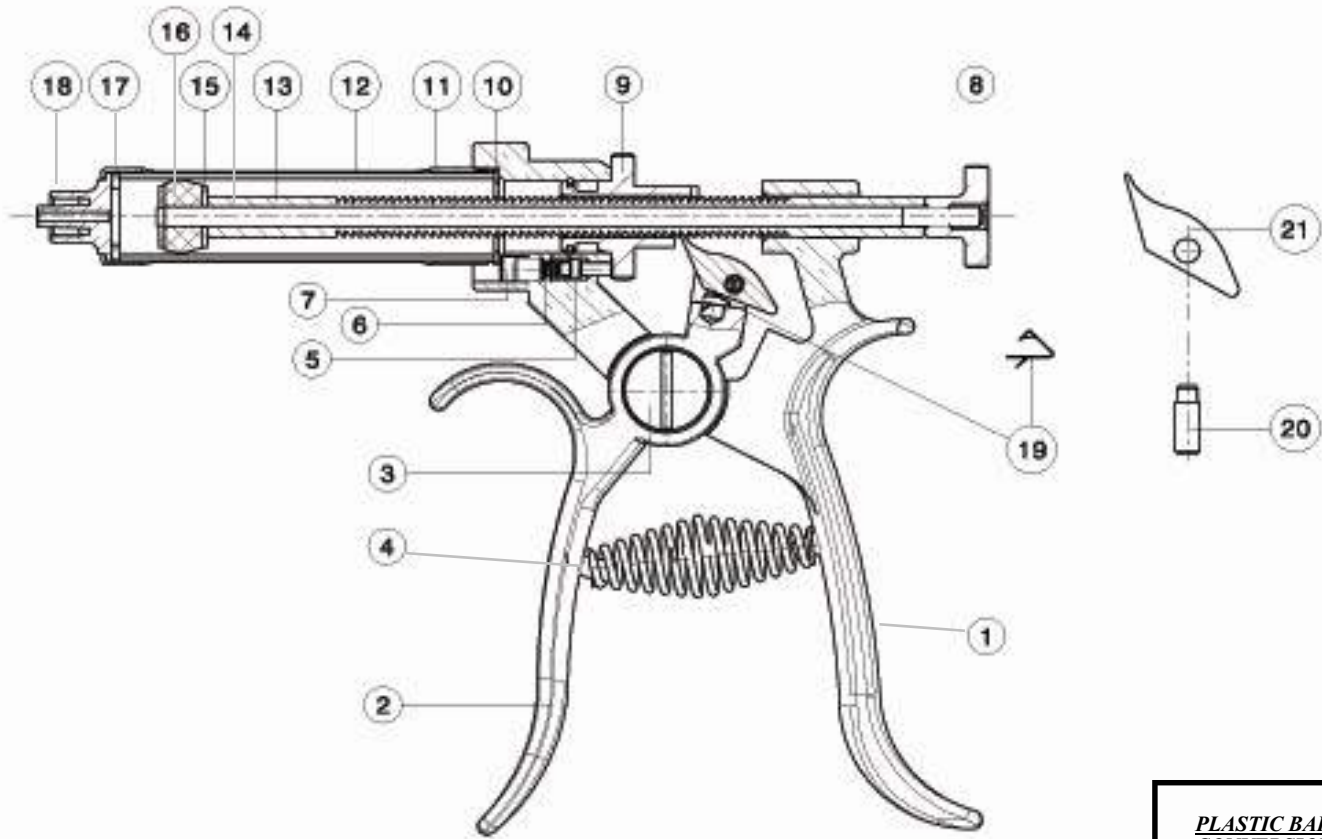
APE #	Product Description
41371300	Threaded Oral 4" Cannula
41371300C	Threaded Oral 4" Cannula-Carded
41371330	Luerlock Oral 4" Cannula
41371330C	Luerlock Oral 4" Cannula-Carded

- Threaded work with APE-Plex Syringes
- Luerlock work with Ardes & APE-Plex Syringes

When ordering spare parts, always refer to the APE # to ensure speedy and accurate parts replacement.

• APE ROUX SYRINGES

APE ROUX - 10 ML (#142010), 30 ML (#142030) & 50 ML (#142050)



**PLASTIC BARREL
CONVERSION KIT**
is available to convert
a 50 ML Roux Syringe
(142050) to a 50ML Roux
Syringe with plastic barrel
(402110). It contains a
metal frame, plastic barrel
and front end with luerlock.

When ordering spare parts, always refer to the APE # to ensure speedy and accurate parts replacement.

• **APE ROUX SYRINGES**

APE ROUX - 10 ML (#142010)

APE #	Part #	Product Description
142053	2	Forward Handle Only
142055	2	Forward Handle Complete
202307	3	Large Handle Connecting Screw Reverse Thread
142011	19	Ratchet Clip
142013	20	Gudgeon Bolt
142014	21	Ratchet Tip
142016	7	Screw for Dosage Dial
142017	5	Pin for Dosage Dial
142018	6	Spring for Dosage Dial
201824	18	Frontend with Luerlock
201825	10/17	Washer Set
401826	12	Glass Barrel
201827	11	Metal Frame
201828	14	Inner Rod
201830	16	Rubber Piston
202033	8	Knurled Knob
202035	4	Coil Spring

APE ROUX - 30 ML (#142030)

APE #	Part #	Product Description
142053	2	Forward Handle Only
142055	2	Forward Handle Complete
202307	3	Large Handle Connecting Screw Reverse Thread
142011	19	Ratchet Clip
142013	20	Gudgeon Bolt
142014	21	Ratchet Tip
142016	7	Screw for Dosage Dial
142017	5	Pin for Dosage Dial
142018	6	Spring for Dosage Dial
202022	10,16,17	Washer/Piston Set
202024	18	Frontend with Luerlock
202025	10/17	Washer Set
201926	12	Glass Barrel
202030	16	Rubber Piston
202031	15	Piston Holding Disc
202033	8	Knurled Knob
202035	4	Coil Spring

APE ROUX - 50 ML (#142050)

APE #	Part #	Product Description
142053	2	Forward Handle Only
142054	19,20,21	Ratchet Tip Kit for Front Handle
142055	2	Forward Handle Complete
202307	3	Large Handle Connecting Screw Reverse Thread
142011	19	Ratchet Clip
142013	20	Gudgeon Bolt
142014	21	Ratchet Tip
142016	7	Screw for Dosage Dial
142017	5	Pin for Dosage Dial
142018	6	Spring for Dosage Dial
202022	10,16,17	Washer/Piston Set
202024	18	Frontend with Luerlock
202025	10/17	Washer Set
142026	12	Glass Barrel
142026C	12	Glass Barrel-Carded
202040		Plastic Barrel
202027	11	Metal Frame
202028	14	Inner Rod
202030	16	Rubber Piston
202031	15	Piston Holding Disc
202032	13	Outer Rod
202033	8	Knurled Knob
202035	4	Coil Spring
402036	11, 18	Plastic Barrel Conversion Kit

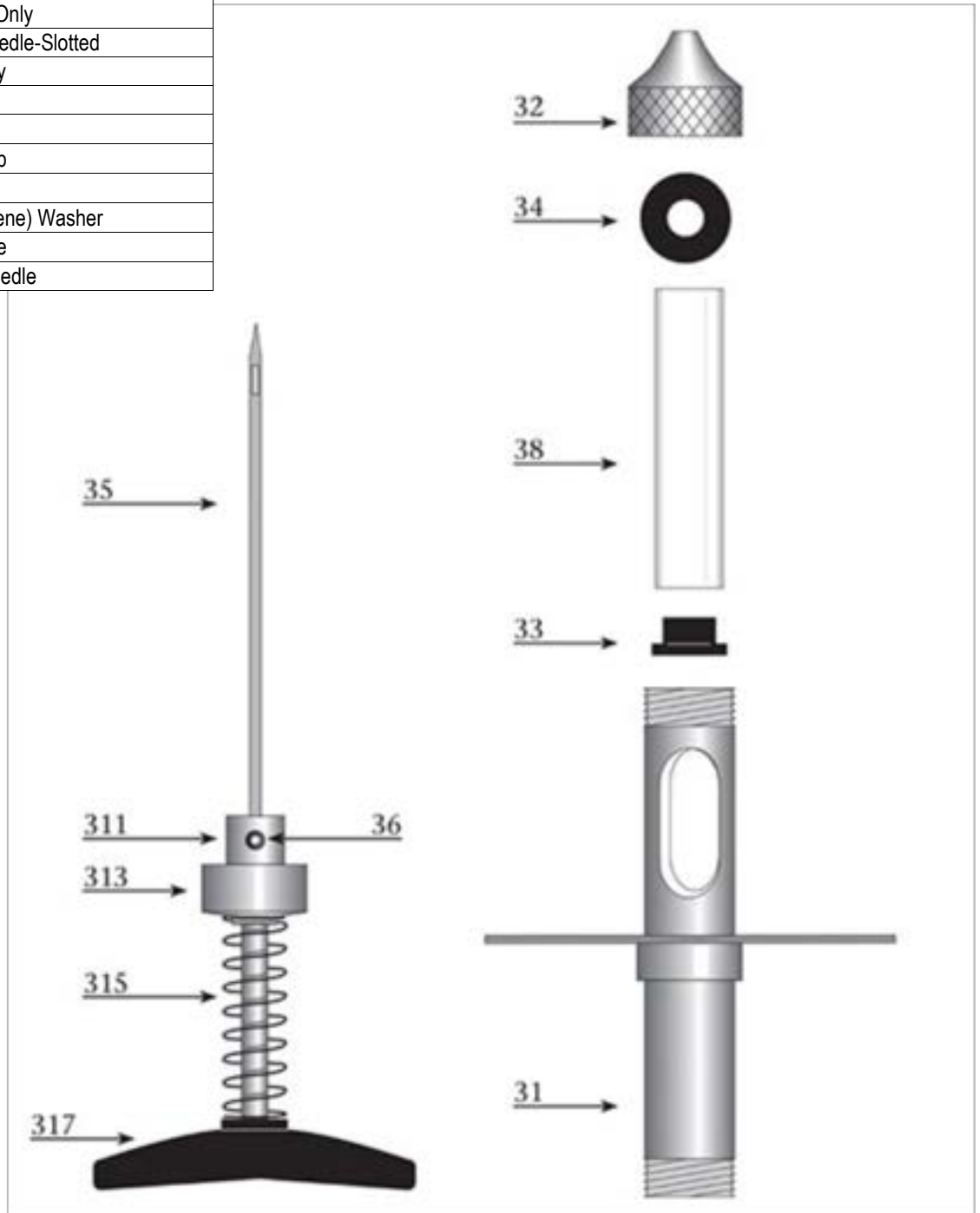
When ordering spare parts, always refer to the APE # to ensure speedy and accurate parts replacement.

• **NECHMAD THAMA SYRINGES**

THAMA POX VACCINATOR — 1cc (#173200)

SYRINGE NO LONGER AVAILABLE, parts only

APE #	Part #	Product Description
173254	32	Front End Cap
173253	33	Stopper Gasket Only
•173252	35	Replacement Needle-Slotted
173251	38	Glass Barrel Only
•173250	311	Needle Hub
•173205	315	Handle Spring
•173206	313	Rear Closing Cap
173231	31	Body
173207	34	End Cap (Neoprene) Washer
•173208	317	Palm Grip Handle
•173209	36	Set Screw for Needle



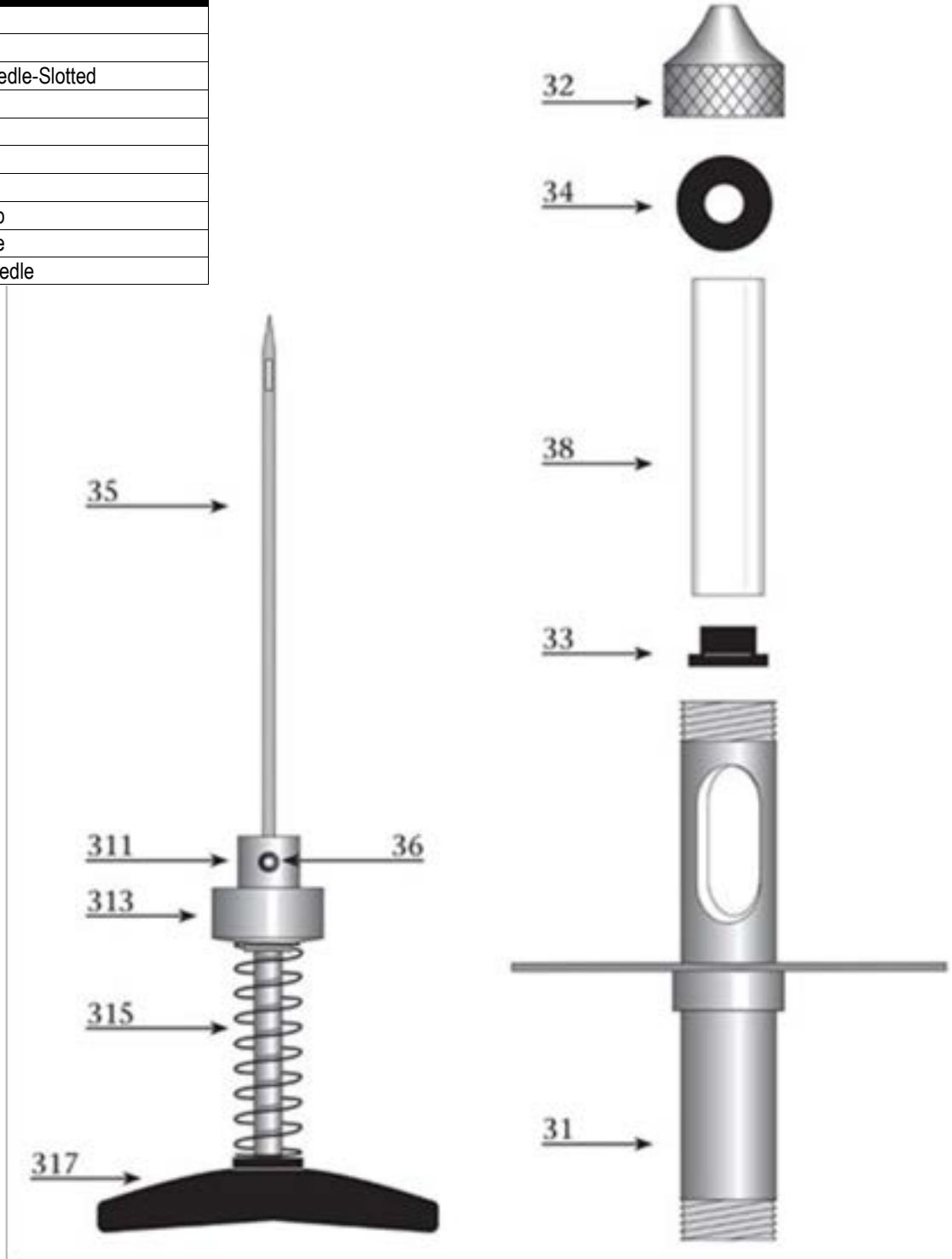
• **Interchangeable parts between 173200 & 173000**

When ordering spare parts, always refer to the APE # to ensure speedy and accurate parts replacement.

• **NECHMAD THAMA SYRINGES**

THAMA 521 POX VACCINATOR — 2cc (#173000)

APE #	Part #	Product Description
173031	31	Syringe Body
173032	32	Front End Cap
•173252	35	Replacement Needle-Slotted
173001	38	Glass Barrel
173005	33&34	Spare Parts Kit
•173250	311	Needle Hub
•173205	315	Handle Spring
•173206	313	Rear Closing Cap
•173208	317	Palm Grip Handle
•173209	36	Set Screw for Needle



• **Interchangeable parts between 173200 & 173000**

When ordering spare parts, always refer to the APE # to ensure speedy and accurate parts replacement.

THAMA 552 2 NEEDLE POX VACCINATOR — (#173100) 5cc CAPACITY

APE #	Part #	Product Description
173101	501	Syringe Body
173110	510	Needles Hub
173112	517	Upper Handle & Piston Shaft for Needle Hub
173116	516	Finger Grip
173126		Repair Kit [Rubber Stopper (533), Washer (534) & Allen Wrench]
173132	532	Frontend Cap
173133	533	Rubber Stopper
173134	534	Neoprene Washer
173137	537	Shaft Screw
173138	538	Glass Barrel
173209	536	Set Screw for Needle
173205	515	Handle Spring
173252	535	Replacement Needle-Slotted



When ordering spare parts, always refer to the APE # to ensure speedy and accurate parts replacement.

• **NECHMAD THAMA SYRINGES**

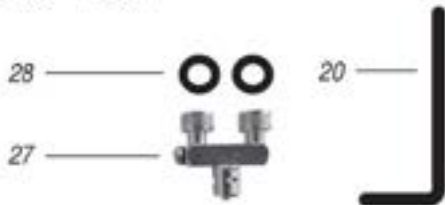
THAMA 222 DOUBLE BARREL FIXED DOSE SYRINGE — (#173650)

Supplied with two sets of 5 different pistons: 0.1cc, 0.2cc, 0.25cc, 0.3cc AND 0.5cc

APE #	Part #	Product Description
173555		Filling Needle 18cm
173610	01	Syringe Body
173627	27	Bridge 2 to 1 Needle
173651	05(2),06(2),07,10(4), 26,28,32,71	Repair Kit
173652	02	Luerlock, Needle Adapter
173707	03	Tubing Attachment
173121	21	Piston Shove
173122	22	Shove Shaft
173123	23	Spacer
173654	1101	0.1cc Piston + Shaft
173655	1102	0.2cc Piston + Shaft
173656	1125	0.25cc Piston + Shaft
173657	1103	0.3cc Piston + Shaft
173658	1105	0.5cc Piston + Shaft

Piston + shaft #11:

- 0.1cc 1101
- 0.2cc 1102
- 0.25cc 1125
- 0.3cc 1103
- 0.5cc 1105



When ordering spare parts, always refer to the APE # to ensure speedy and accurate parts replacement.

• **NECHMAD THAMA SYRINGES**

THAMA 220 FIXED DOSE SYRINGE — (#173700)

Supplied with two sets of 5 different pistons: 0.1cc, 0.2cc, 0.25cc, 0.3cc AND 0.5cc

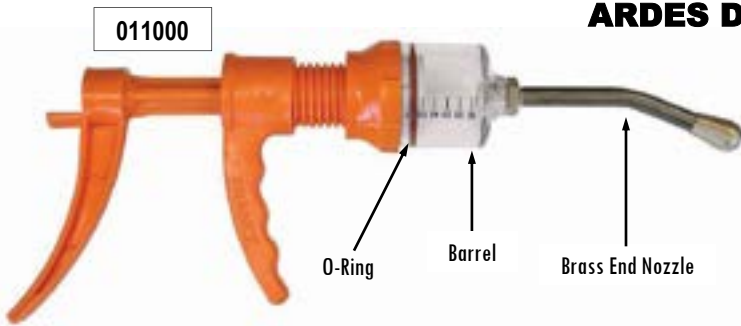


APE #	Part #	Product Description
173555		Filling Tube 18cm
173701	21	0.1cc Piston
173702	22	0.2cc Piston
173703	25	0.25cc Piston
173704	23	0.3cc Piston
173705	24	0.5cc Piston
173706	05(2),06(2), 07(2),10(5)	Repair Kit
173707	03	Tubing Attachment
173710	01	Syringe Body
173711		Screw for Finger Grip
173713	13	Body Cover
173717	17	Upper Handle and Shaft
173708	16	Finger Grip
173715	35	Handle Spring

When ordering spare parts, always refer to the APE # to ensure speedy and accurate parts replacement.

- ARDES DRENCH GUNS
- LABELVAGE DRENCH GUNS

- ORAL DRENCHER
- V-GRIP DRENCHERS

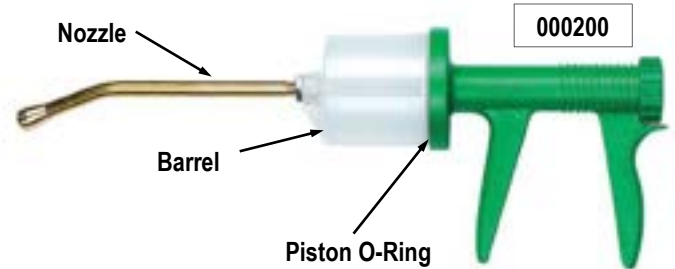


ARDES DRENCH GUNS — 60ml (#011000) & 150ml (#011100)

APE #	Product Description
011001	60ml O-Ring
011005	60ml Barrel
011006	60ml Brass End Nozzle
011101	150ml O-Ring
011105	150ml Barrel
011106	150ml Brass End Nozzle

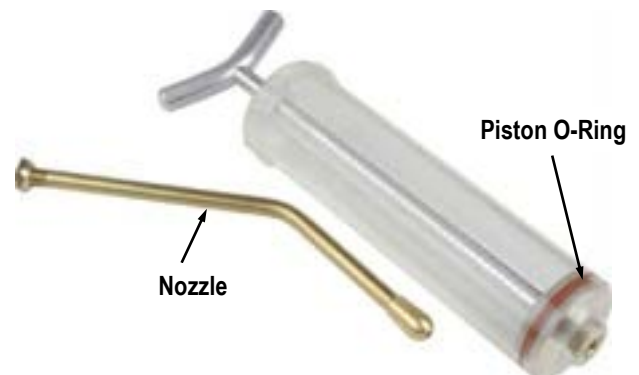
LABELVAGE DRENCH GUNS — 200ml (#000200), 300ml (#000300) & 600ml (#000600)

APE #	Product Description
000201	200ml/600mlPiston O-Ring
000202	200ml Barrel
000203	200ml Nozzle
000301	300ml Piston O-Ring
000302	300ml Barrel
000602	300ml/600ml Nozzle



ORAL DRENCHER — 400ml (#41376600)

APE #	Product Description
41655000	Nozzle
41655600	Piston O-Ring



V-GRIP DRENCH GUNS — 70ml (#170070), 200ml (#170200) & 300ml (#170300)

APE #	Product Description
170071	70ml Piston O-Ring
170201	200ml Piston O-Ring
170301	300ml Piston O-Ring
170302	200ml/300ml Drench Nozzle



When ordering spare parts, always refer to the APE # to ensure speedy and accurate parts replacement.

• **PRODIGY REPEATERS**

PRODIGY REPEATERS — 25ml

APE #	Part #	Product Description
!268430	1	25ml UV Barrel & O-Ring Kit
268431	2	25ml Piston O-Ring Kit (5 pk)

APE #	Part #	Product Description
!268455	3	50ml UV Barrel & O-Ring Kit
268456	4	50ml Piston O-Ring Kit (5 pk)

25ml
(#268425)



50ml
(#268450)



Can be used with Repeaters and Ring-Grip Syringes

APE #	Product Description
268130	Drench Nozzle/Nut
268130C	Drench Nozzle/Nut (retail ready)



268130



268130C

! Prop 65

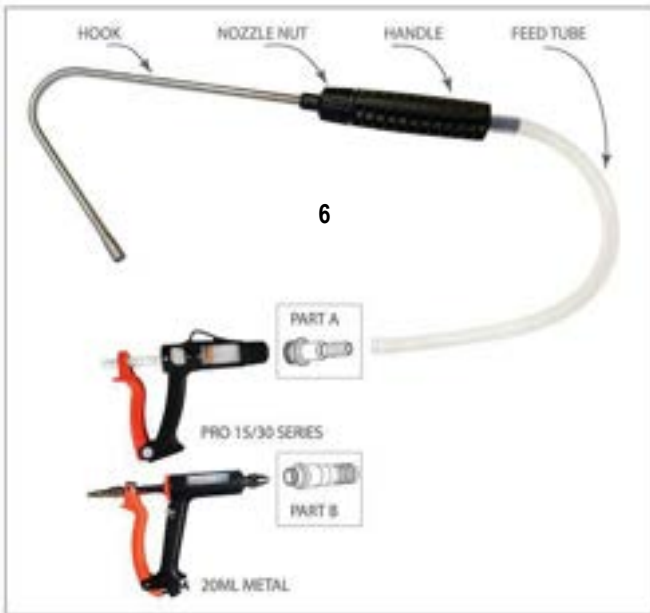
When ordering spare parts, always refer to the APE # to ensure speedy and accurate parts replacement.

• **PRODIGY 20ML DRENCHERS**

**PRODIGY DRENCHER —
20ml (#268710) & 20ml w/2.5L Backpack (#268705)**

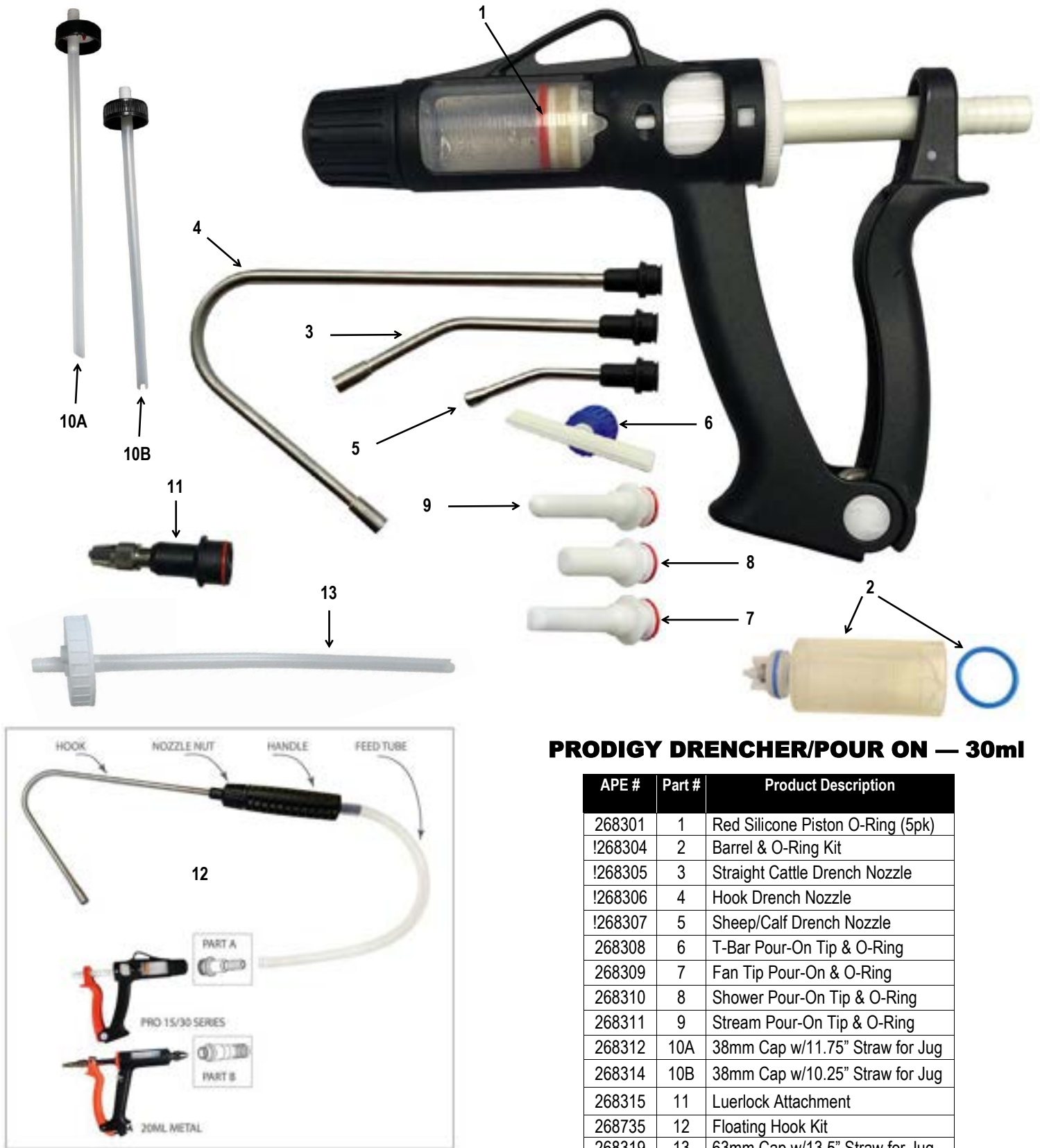


APE #	Part #	Product Description
268715	1	20ML Spare Kit (contains 1 barrel, 2 piston O-rings, 2 valve & springs)
268720	2	Sheep/Calf Nozzle
268740	3	Cattle Nozzle
268725	4	Nut for Nozzle
268730	5	Hook Nozzle
268735	6	Floating Hook Kit
366025	7	2.5L Backpack w/2 caps & strap
369581	8	38mm Double Stepped Barbed Cap w/14.5" Straw



When ordering spare parts, always refer to the APE # to ensure speedy and accurate parts replacement.

• **PRODIGY 30ML DRENCHER**



PRODIGY DRENCHER/POUR ON — 30ml

APE #	Part #	Product Description
268301	1	Red Silicone Piston O-Ring (5pk)
!268304	2	Barrel & O-Ring Kit
!268305	3	Straight Cattle Drench Nozzle
!268306	4	Hook Drench Nozzle
!268307	5	Sheep/Calf Drench Nozzle
268308	6	T-Bar Pour-On Tip & O-Ring
268309	7	Fan Tip Pour-On & O-Ring
268310	8	Shower Pour-On Tip & O-Ring
268311	9	Stream Pour-On Tip & O-Ring
268312	10A	38mm Cap w/11.75" Straw for Jug
268314	10B	38mm Cap w/10.25" Straw for Jug
268315	11	Luerlock Attachment
268735	12	Floating Hook Kit
268319	13	63mm Cap w/13.5" Straw for Jug

! Prop 65

When ordering spare parts, always refer to the APE # to ensure speedy and accurate parts replacement.

• SYRINGE/DRENCHER ACCESSORIES



366000



366025

SYRINGE/DRENCHER ACCESSORIES

Backpacks	
APE #	Product Description
366025	2.5L Backpack w/2 caps & strap
366000	5L Backpack w/2 caps & strap

Caps & strap



Drawoff Kits	
APE #	Product Description
▶368050	Dual Drawoff Kit
▶368025	250ml Drawoff Kit
▶368866	Spike Kit



368025



368050



368866



368110



368125



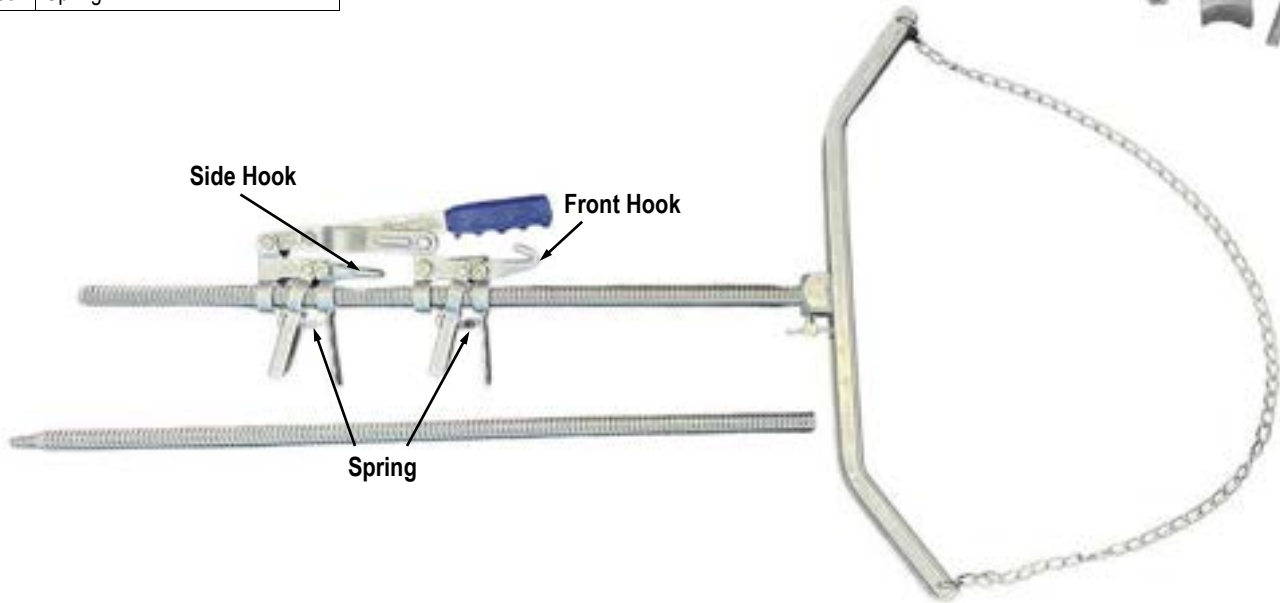
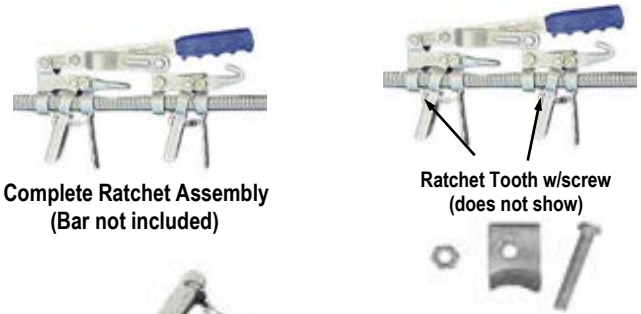
368133

Drawoff Caps	
APE #	Product Description
368110	20mm/100ml Drawoff Cap
368125	30mm/250ml Drawoff Cap
368133	33mm Drawoff Cap

When ordering spare parts, always refer to the APE # to ensure speedy and accurate parts replacement.

CHAMPION CALF PULLER (#101100)

APE #	Product Description
!099681	Ratchet Tooth w/screw Assembly
!099682	Complete Ratchet Assembly
!099685	Front Hooks
!099686	Side Hooks
!099689	Spring



PLEASE TIGHTEN ALL SCREWS & BOLTS ON PULLER BEFORE USING

NEWBERRY KNIFE (#099639)

APE #	Product Description
099637	Replacement Blade (comes with 2 roll pins)



! Prop 65

When ordering spare parts, always refer to the APE # to ensure speedy and accurate parts replacement.

- KICK STOP COW IMMOBILIZER
- BUDDOX DEHORNER

KICK STOP COW IMMOBILIZER (#530300)

APE #	Product Description
530301	Spring
530302	Rubber Stopper



530300

Rubber Stopper



Spring



BUDDOX DEHORNER (#602000)

APE #	Product Description
!602002	Battery
602003	Charger
602001	Heating Head & Module
602010	Module

Battery



Heating Head



Charger



Module



602000



! Prop 65

When ordering spare parts, always refer to the APE # to ensure speedy and accurate parts replacement.

• **COMPRESSION SPRAYERS**

**COMPRESSION SPRAYERS — 1.5 liter-Orange (#083401),
1.5 liter-White w/FPM Seal (#083400) & 2 liter-Orange (#083402)**

APE #	Product Description
!083350	Nozzle kit w/black seal & brass tip (for #083401 & 083402)
!083500	Nozzle kit w/FPM green seal & brass tip (for #083400 only)
!083496	Spraying Control Nozzle, brass (for all Compression Sprayers)
!085105	O-Ring Kit (for all Compression Sprayers)



083400



083350



083401



085105



083402



083500



083496

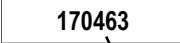
! Prop 65

When ordering spare parts, always refer to the APE # to ensure speedy and accurate parts replacement.

• FEEDING BUCKETS/SPARE TEATS

LAMB FEEDER BUCKET W/3 TEATS (#170460)

APE #	Product Description
170461	Spare Teat
170461C	Spare Teat-Carded
170462	Valve Complete w/Seal
170463	Washer
170472	Mounting Bracket

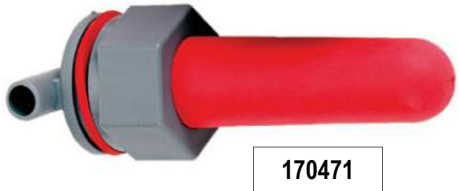


170470



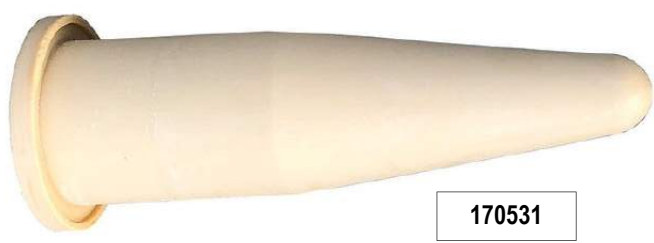
CALF FEEDING BUCKET (#170470)

APE #	Product Description
170471	Spare Teat-Red
170472	Mounting Bracket



FLOATING TEAT-XL (#170530)

APE #	Product Description
170531	Spare Teat



170530

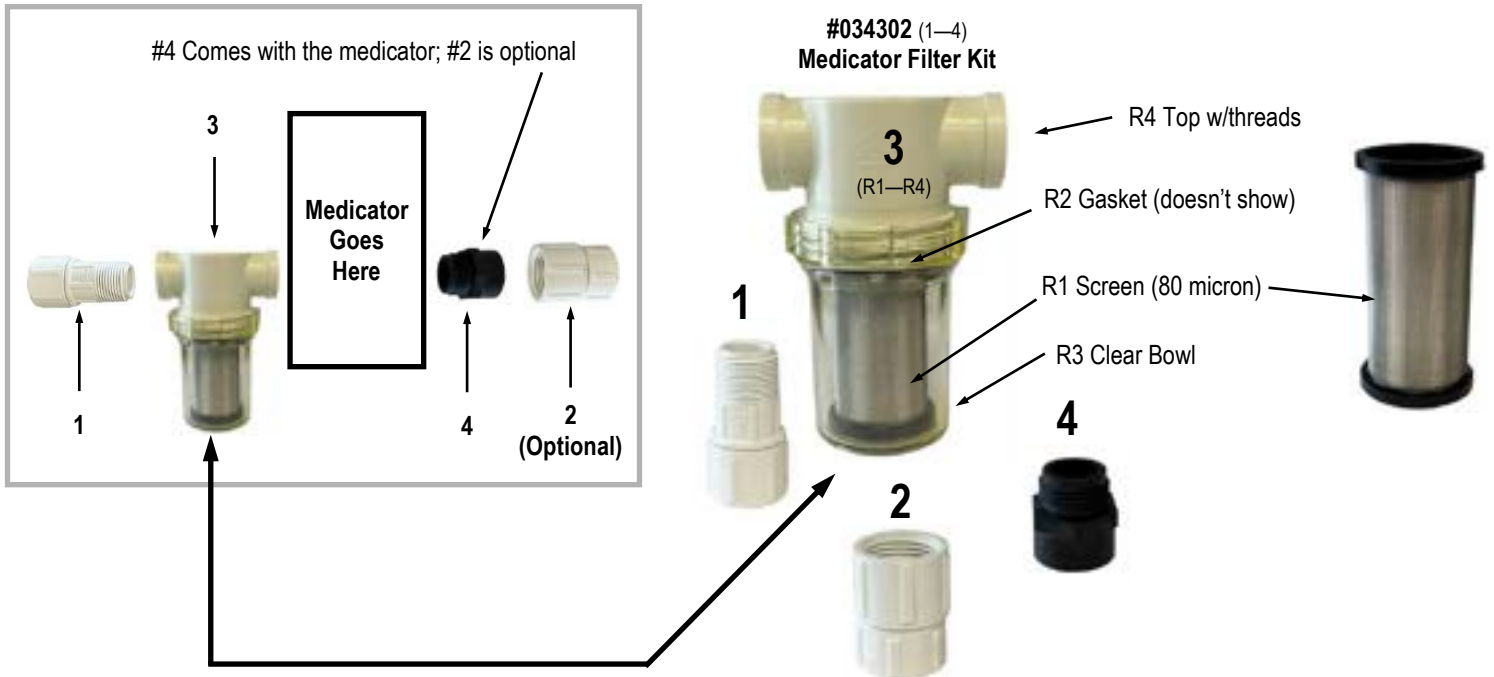


When ordering spare parts, always refer to the APE # to ensure speedy and accurate parts replacement.

• **MEDICATOR FILTER KIT**

MEDICATOR FILTER KIT (#034302)

APE #	Part #	Product Description
MEDICATOR FILTER KIT is an inline filter with 80 micron screen & 3/4" NPT female threads, plus adapter to convert to hose thread connections. (SEE PARTS BELOW: this Kit includes Part#1-4)		
034302		Filter (Hook Up) Kit
328501	1	3/4" Male NPT pipe to 3/4" Female GHT swivel adapter (white AP-109)
328502	2	3/4" Female NPT to 3/4" Female GHT swivel adapter (white AP-106)
194425	3	Inline Strainer (80 micron screen) with 3/4" Female NPT pipe, 5 1/4" x 3 1/2"
308600	4	3/4" Female NPT pipe to 3/4" Male GHT adapter (black)
INLINE STRAINER Replacement Parts: The Inline Strainer is Part#3 (#194425) of a Medicator Filter Kit (#034302).		
The following parts comprise the Inline Strainer:		
194401	R1	Replacement Screen 80-micron (standard)
194402	R2	Replacement Gasket
194403	R3	Replacement Clear Bowl Only
194406	R4	Replacement Top for Filter-Threaded



When ordering spare parts, always refer to the APE # to ensure speedy and accurate parts replacement.

• **RESPIRATORY CARE**

VETNEB II (#633065)

APE #	Product Description
631014	Delivery Device (includes medicine cup, mouth piece T-bar, 5" corrugated tube, and 7' tubing)
633051	5 Pak Filter for VetNeb II
!635000	Air Muzzle Restraint w/O ₂ Adapter

633065



633051



635000



631014 (included with 633065)

HEAVY-DUTY SUCTION MACHINE (#633601)

APE #	Product Description
633611	Hydrophobic Filter for Heavy-Duty Suction Machine
633610	800cc Canister
!805000	Yankauer Suction Device



633610



633611



805000

633601



! Prop 65

When ordering spare parts, always refer to the APE # to ensure speedy and accurate parts replacement.