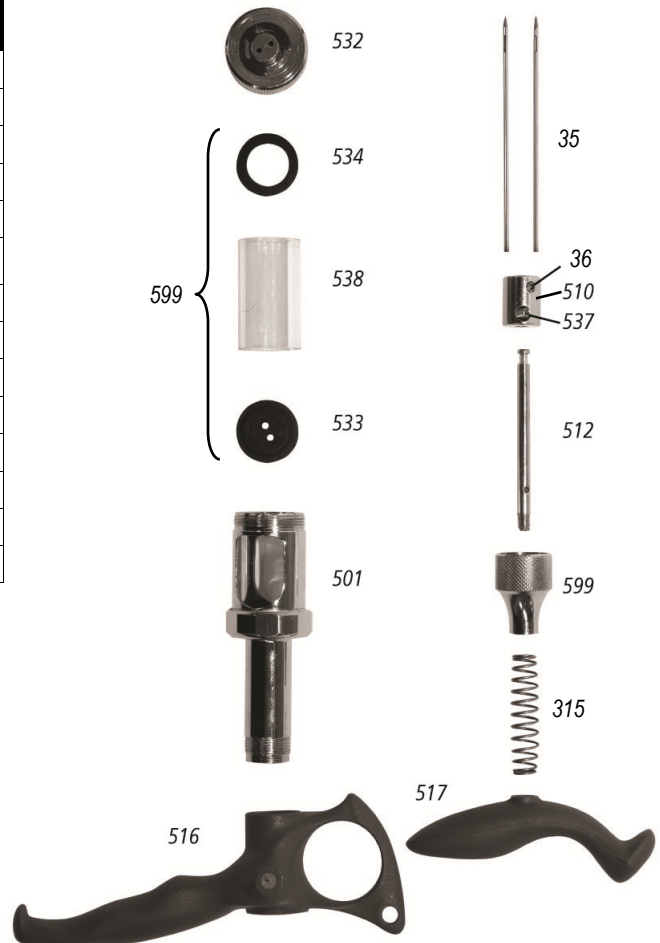


# NECHMAD SYRINGE

## 2 NEEDLE POX VACCINATOR — 1ml (#173100)

APE #	Part #	Product Description
173101	501	Syringe Body
173110	510	Needles Hub
173112	512	Shaft for Needle Hub
173116	516	Finger Grip
173117	517	Upper Handle
173126	599	Repair Kit (Rubber Stopper, Washer & Barrel)
173132	532	Frontend Cap
173133	533	Rubber Stopper
173134	534	Neoprene Washer
173137	537	Shaft Screw
173138	538	Glass Barrel
173209	36	Set Screw for Needle
173205	315	Handle Spring
173252	35	Replacement Needle-Slotted



*When ordering spare parts, always refer to the APE # to ensure speedy and accurate parts replacement.*