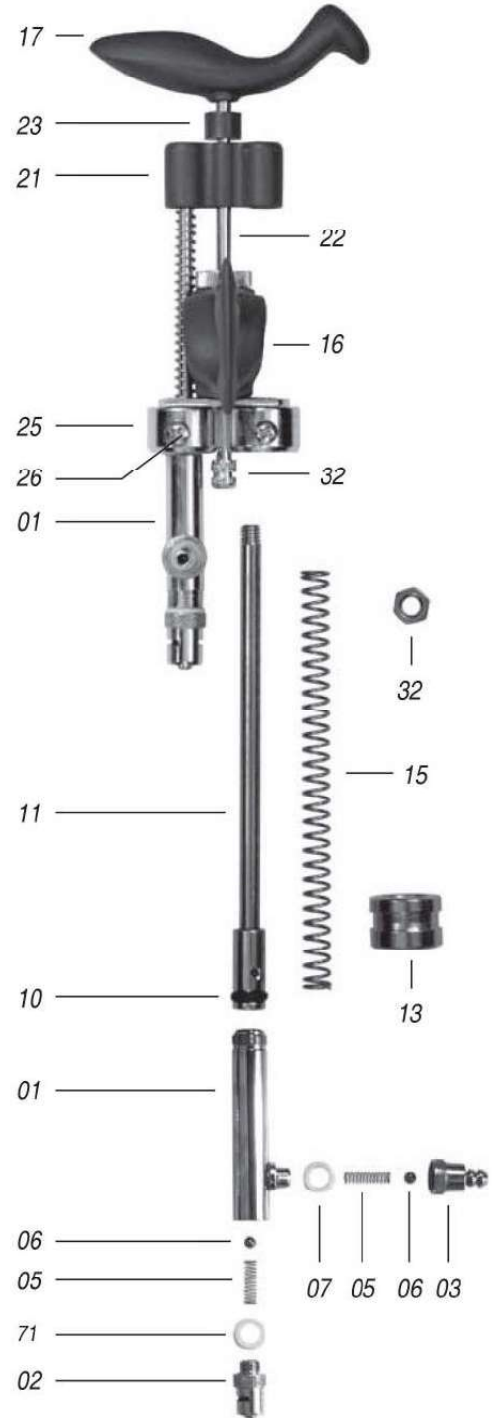


• **NECHMAD THAMA SYRINGES**

THAMA 222 DOUBLE BARREL FIXED DOSE SYRINGE — (#173650)
 Supplied with two sets of 5 different pistons: 0.1cc, 0.2cc, 0.25cc, 0.3cc AND 0.5cc

APE #	Part #	Product Description
173528		3ft Tubing
173555		Filling Needle 18cm
173610	01	Syringe Body
173115	15	Handle Spring
173617	17, 22	Upper Handle/Push Rod
173627	27	Bridge 2 to 1 Needle
173651	05(2),06(2),07,10(4), 26,28,32,71	Repair Kit
173652	02	Luerlock, Needle Adapter
173707	03	Tubing Attachment
173121	21	Piston Shove
173123	23	Spacer
173612	32	Nut for Shove Shaft
173654	1101	0.1cc Piston + Shaft
173655	1102	0.2cc Piston + Shaft
173656	1125	0.25cc Piston + Shaft
173657	1103	0.3cc Piston + Shaft
173658	1105	0.5cc Piston + Shaft

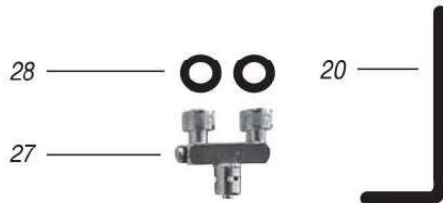


173528



Piston + shaft #11:

- 0.1cc 1101
- 0.2cc 1102
- 0.25cc 1125
- 0.3cc 1103
- 0.5cc 1105



When ordering spare parts, always refer to the APE # to ensure speedy and accurate parts replacement.